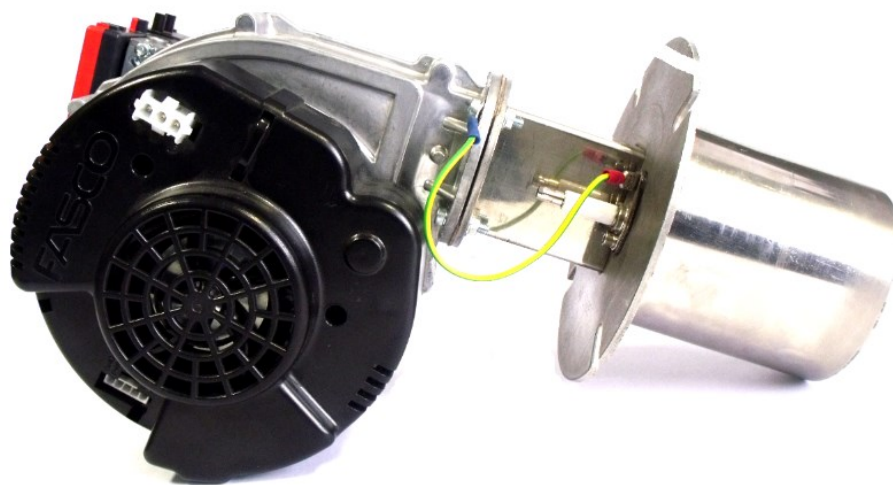




Leading The Way In Burner Technology

# INVERTERJET M SERIES

## MODULATING GAS BURNER



# INVERTERJET M SERIES

MODEL	PRODUCT CODE	CLASS
INVERTERJET 30M/L	91353	MODULATING PREMIX BURNER
INVERTERJET 30M/N	91354	MODULATING PREMIX BURNER
INVERTERJET 50M/L	91320	MODULATING PREMIX BURNER
INVERTERJET 50M/N	91330	MODULATING PREMIX BURNER
INVERTERJET 90M/L	91323	MODULATING PREMIX BURNER
INVERTERJET 90M/N	91329	MODULATING PREMIX BURNER

99044 (1) 05/03/2020, Subject to Modification.

FOR TECHNICAL HELP / ADVICE  
Phone: 01204 393 222  
Email: [info@burnertech.co.uk](mailto:info@burnertech.co.uk)  
Visit: [www.burnertech.co.uk](http://www.burnertech.co.uk)

BURNERTECH ENGINEERS LIMITED  
Unit C, Lostock Industrial Estate, Lostock Lane  
BL6 4BL, Bolton, UK



*Leading The Way In Burner Technology*

# INVERTERJET M SERIES

## MODULATING GAS BURNER

Heat output 50kW

Pre-mix low NOx

Low CO: < 10ppm

Stable modulation 5 : 1

Precise control of combustion

Pneumatic / Electronic Control

The burners in the Inverterjet M series are composed of precision machined components.

The fully patented burner head is a special metallic fibre which has an inverted flame that simulates a standard gas burner but has the advantage of forward flame, yet is fully premixed and consequently gives very clean and stable combustion.

The pre-mixing technology uses a very stable and reliable pneumatic system which allows for control of the gas and air mix throughout the modulation range.

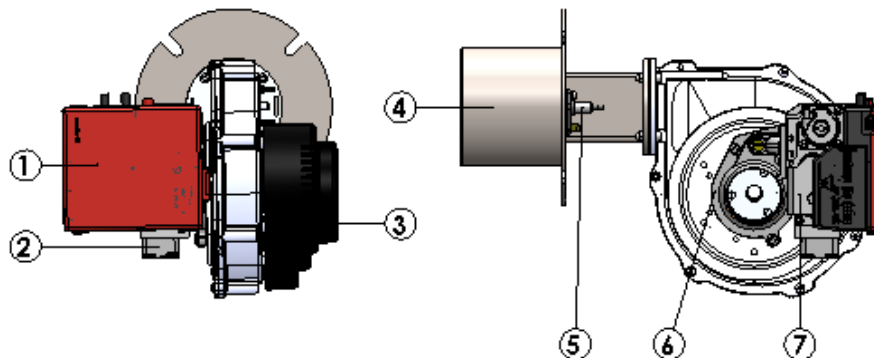
The microprocessor based burner controller is made for fan assisted, direct burner ignition applications. The control operates on 230/110 volts, 50-60 Hz and drives the gas valve and DC-fan. Normal heat demand is given by a 230 /110 VAC switch input. Modulation can be controlled by external 0 - 10V/4 - 20mA signal

A special test mode controlled through the communication port of the controller can be used to service and initially set up the burner.

# INVERTERJET M SERIES

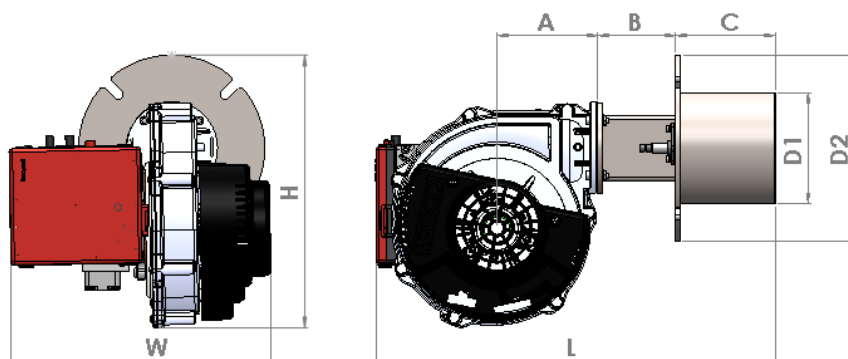
## MODULATING GAS BURNER

### Main Components



- 1 Controller
- 2 Gas Connection Flange
- 3 Fan Housing
- 4 Inverterjet Burner Head
- 5 Ignition Electrode
- 6 Venturi
- 7 Gas Valve
- 8 Ionisation Probe (Not shown)

### Dimensions



MODEL	A	B	C	D1	D2	E	H	L	W	Weight
	mm	mm	mm	mm	mm	mm	mm	mm	mm	kg
Inverterjet 30M/L	89	71	91	Ø101.6	Ø170	133	218	361	225	5.2
Inverterjet 30M/N	89	71	91	Ø101.6	Ø170	133	218	361	225	5.2
Inverterjet 50M/L	92	71	91	Ø101.6	Ø170	164	244	365	238	5.6
Inverterjet 50M/N	92	71	91	Ø101.6	Ø170	164	244	365	238	5.6
Inverterjet 90M/L	92	71	121	Ø101.6	Ø170	164	244	395	238	5.9
Inverterjet 90M/N	92	71	121	Ø101.6	Ø170	164	244	395	238	5.9



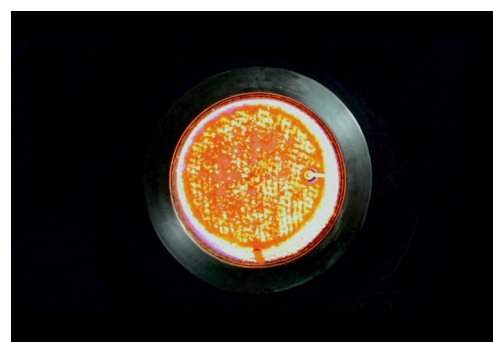
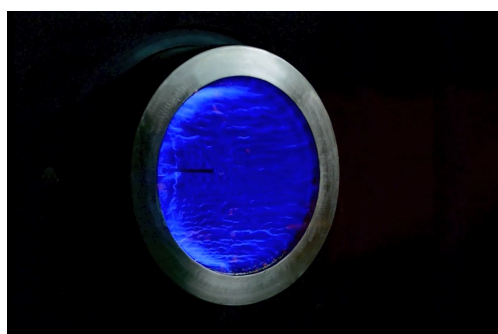
Leading The Way In Burner Technology

# INVERTERJET M SERIES

## MODULATING GAS BURNER

### Technical Data

INVERTERJET MODEL			30M/L	30M/N	50M/L	50M/N	90M/L	90M/N
Type			Pre-Mix Burner		Pre-Mix Burner		Pre-Mix Burner	
Fuel Type			LPG	NG	LPG	NG	LPG	NG
Power	Min	kW	6		10		18	
	Max	kW	30		50		90	
Modulation Range			1:5		1:5		1:5	
Nominal Voltage Range		VAC	230		230		230	
Frequency		Hz	50/60		50/60		50/60	
Phase			1 ~		1 ~		1 ~	
Fan Current Draw	Max	A	0.3		1.9		1.9	
Gas Connection Flange Size			1/2 "BSP		1/2 "BSP		1/2 "BSP	
Gas Inlet Pressure	Min	mbar	10		10		10	
	Max	mbar	60		60		60	



FOR TECHNICAL HELP / ADVICE  
Phone: 01204 393 222  
Email: [info@burnertech.co.uk](mailto:info@burnertech.co.uk)  
Visit: [www.burnertech.co.uk](http://www.burnertech.co.uk)

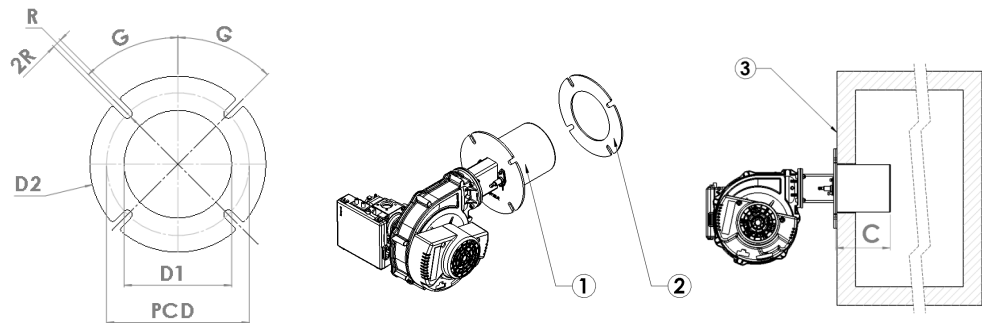
BURNERTECH ENGINEERS LIMITED  
Unit C, Lostock Industrial Estate, Lostock Lane  
BL6 4BL, Bolton, UK

# INVERTERJET M SERIES

## MODULATING GAS BURNER

### Mounting Dimensions

1. Burner head
2. Mounting Gasket
3. Boiler Door

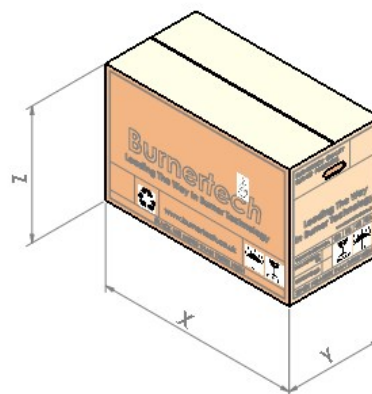


MODEL	C	D1	D2	G	PCD	R	2R
	mm	mm	mm	deg.	mm	mm	mm
Inverterjet 30M/L	88	101.6	170	45°	Ø 138	4.5	9
Inverterjet 30M/N	88	101.6	170	45°	Ø 138	4.5	9
Inverterjet 50M/L	88	101.6	170	45°	Ø 138	4.5	9
Inverterjet 50M/N	88	101.6	170	45°	Ø 138	4.5	9
Inverterjet 90M/L	118	101.6	170	45°	Ø 138	4.5	9
Inverterjet 90M/N	118	101.6	170	45°	Ø 138	4.5	9

### Packaging

#### Supplied with:

- User Manual



MODEL	X	Y	Z	QTY / BOX	2R
	mm	mm	mm		mm
Inverterjet 30M/L	790	390	510	3	16
Inverterjet 30M/N	790	390	510	3	16
Inverterjet 50M/L	790	390	510	3	18
Inverterjet 50M/N	790	390	510	3	18
Inverterjet 90M/L	790	390	510	3	18.3
Inverterjet 90M/N	790	390	510	3	18.3



**CONTACT / SERVICE:**



Unit C Lostock Industrial Estate,  
Lostock Lane,  
BL6 4BL,  
Bolton, United Kingdom.

Tel: +44 (0)1204 393222  
Fax: +44 (0)1204 394222  
Email: [enquiries@burnertech.co.uk](mailto:enquiries@burnertech.co.uk)  
Website: [www.burnertech.co.uk](http://www.burnertech.co.uk)