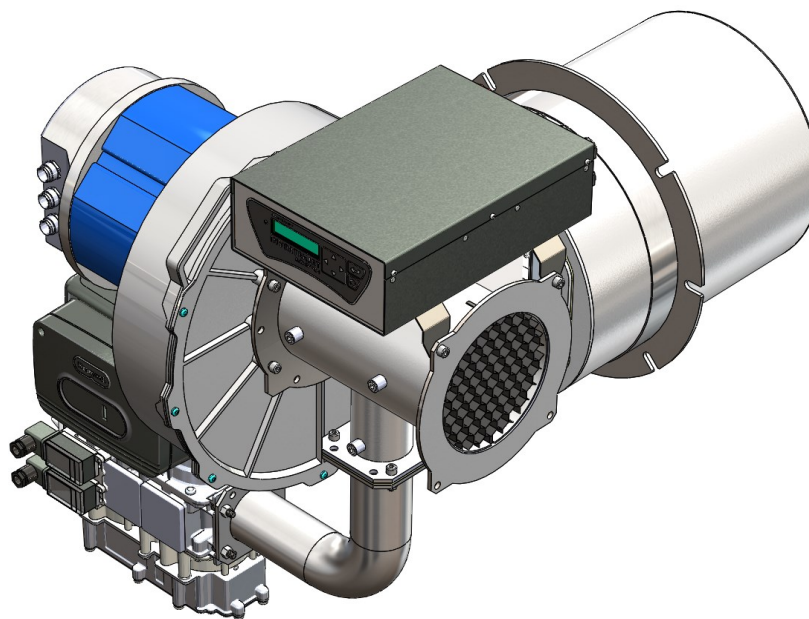




Leading The Way In Burner Technology

INVERTERJET HME SERIES

MODULATING GAS BURNER



INVERTERJET HME SERIES

MODEL	PRODUCT CODE	CLASS
INVERTERJET 500HME	91347	HIGH MODULATING PREMIX BURNER
INVERTERJET 600HME	91317	HIGH MODULATING PREMIX BURNER
INVERTERJET 800HME	91318	HIGH MODULATING PREMIX BURNER
INVERTERJET 1000HME	91319	HIGH MODULATING PREMIX BURNER
INVERTERJET 1600HME	91331	HIGH MODULATING PREMIX BURNER

99046 (1) 05/03/2020, Subject to Modification.

FOR TECHNICAL HELP / ADVICE
Phone: 01204 393 222
Email: info@burnertech.co.uk
Visit: www.burnertech.co.uk

BURNERTECH ENGINEERS LIMITED
Unit C, Lostock Industrial Estate, Lostock Lane
BL6 4BL, Bolton, UK



Leading The Way In Burner Technology

INVERTERJET HME SERIES

MODULATING GAS BURNER

Heat output 68 - 1600[kW]

Pre-mix low NOx

Low CO: < 10ppm

Stable modulation 7 : 1

Precise control of combustion

Pneumatic / Electronic Control

The burners in the Inverterjet HME series are composed of precision machined components.

The fully patented burner head is a special metallic fibre which has an inverted flame that simulates a standard gas burner but has the advantage of forward flame, yet is fully premixed and consequently gives very clean and stable combustion.

The mixing system is electronic which allows for control of the gas and air mix throughout the modulation range. The electronic version modulation is up to 10:1

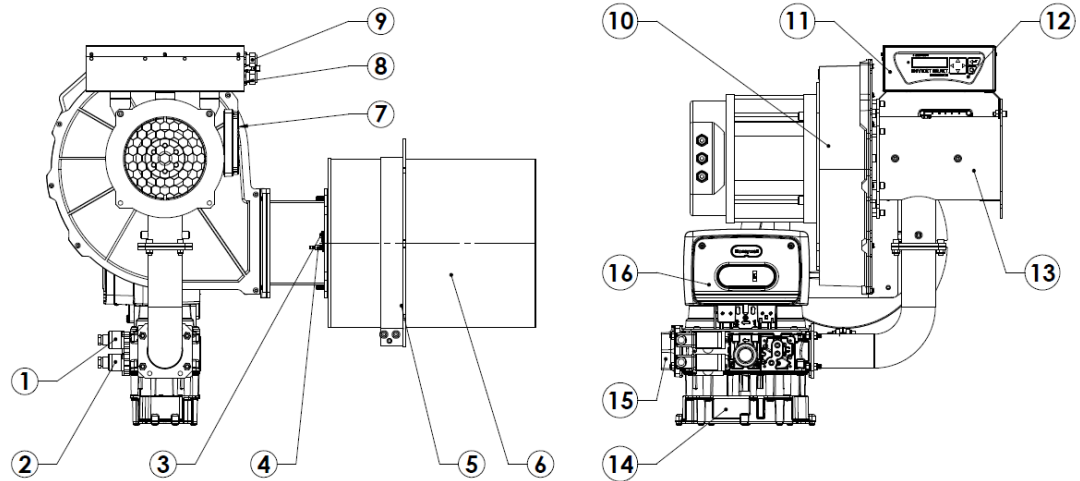
The microprocessor based burner controller is made for fan assisted, direct burner ignition applications. The control operates on 230/110 volts, 50-60 Hz and drives the gas valve and DC-fan. Normal heat demand is given by a 230 /110 VAC switch input. Modulation can be controlled by incorporating N.T.C sensors or by external 0 - 10V/4 - 20mA signal.

The Controller has the inputs and outputs to fully control a boiler and water heater including weather compensation and modulation outputs for up to 2 pumps. It also has a full cascade and sequence control for up to eight Boilers.

A special test mode controlled through the communication port of the controller can be used to service and initially set up the burner.

INVERTERJET HME SERIES

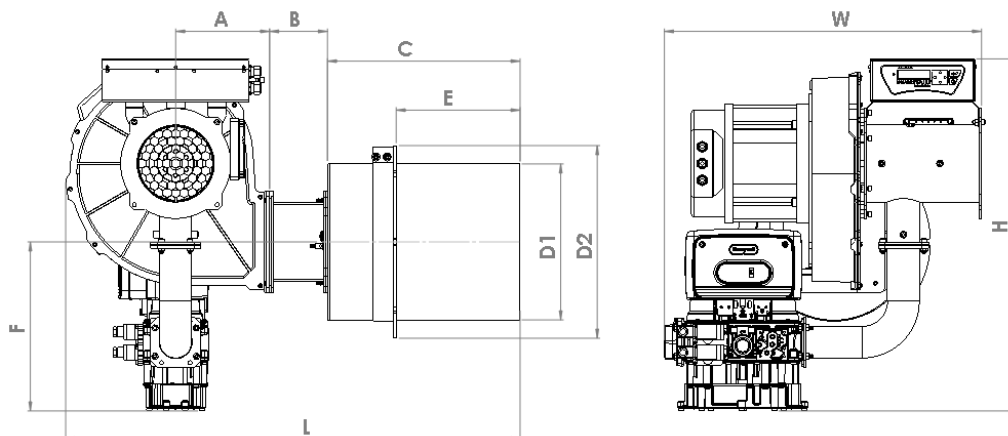
Main Components



- 1 Electronic Module 2" Gas Valve
- 2 Mixer Unit
- 3 Inverterjet Burner Head
- 4 Ignition Electrode
- 5 Viewing Window
- 6 Gas Valve 2" FCV
- 7 Fan Housing

- 8 Isolator Switch
- 9 Burner Management Unit
- 10 ASM Dust Filter
- 11 Gas Connection Flange
- 12 Burner Mounting Flange
- 13 Ionization Probe

Dimensions



MODEL	A	B	C	D1	D2	E	H	L	W	Weight
	mm	mm	mm	mm	mm	mm	mm	mm	mm	kg
Inverterjet 500HME	163	80	224	Ø188	Ø270	Variable	629	627	710	36
Inverterjet 600HME	163	80	244	Ø214	Ø280	Variable	629	663	710	43
Inverterjet 800HME	205	126	332	Ø340	Ø420	Variable	768	902	691	70
Inverterjet 1000HME	205	126	420	Ø340	Ø420	Variable	768	990	691	85
Inverterjet 1600HME	263	156	478	Ø396	Ø483	Variable	930	1410	714	105



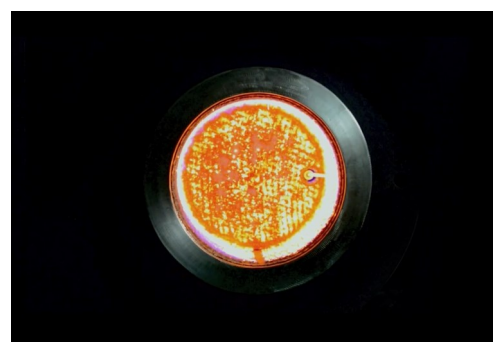
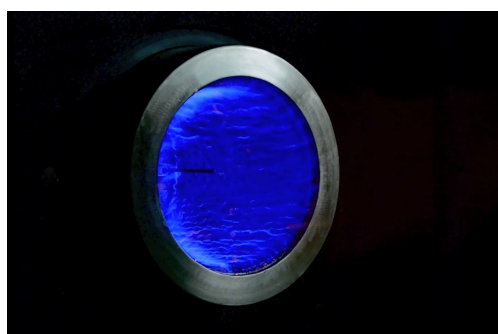
Leading The Way In Burner Technology

INVERTERJET HME SERIES

MODULATING GAS BURNER

Technical Data

INVERTERJET MODEL			500HME	600HME	800HME	1000HME	1600HME	
Type			Pre-Mix Burner	Pre-Mix Burner	Pre-Mix Burner	Pre-Mix Burner	Pre-Mix Burner	
Fuel Type			LPG/NG	LPG/NG	LPG/NG	LPG/NG	LPG/NG	
Power	Min	kW	68.5	83	111	157	229	
	Max	kW	480	580	780	1100	1600	
Modulation Range			7 : 1	7 : 1	7 : 1	7 : 1	7 : 1	
Nominal Voltage Range		VAC	240	240	240	380..480	380..480	
Frequency [Hz]		Hz	50/60	50/60	50/60	50/60	50/60	
Phase			1 ~	1 ~	1 ~	3 ~	3 ~	
Fan Current Draw	Max	A	15	15	15	4.8	4.8	
Gas Connection Flange Size			DN25	DN25	DN25	DN50	DN50	
Gas Inlet Pressure	Min	mbar	25	25	50	1	10	20
	Max	mbar	300	300	250	150	150	100



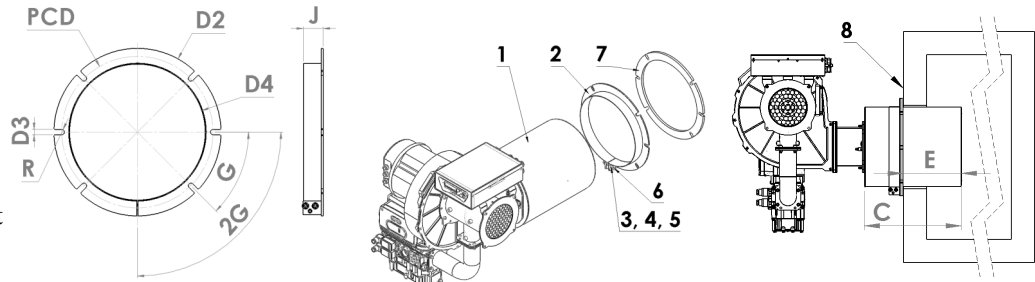
FOR TECHNICAL HELP / ADVICE
 Phone: 01204 393 222
 Email: info@burnertech.co.uk
 Visit: www.burnertech.co.uk

BURNERTECH ENGINEERS LIMITED
 Unit C, Lostock Industrial Estate, Lostock Lane
 BL6 4BL, Bolton, UK

INVERTERJET HME SERIES

Mounting Dimensions

1. Burner head
2. Mounting Collar
3. M8 Nut
4. M8 Washer
5. M8 Screw
6. M6 Screw
7. Mounting Gasket
8. Boiler Door

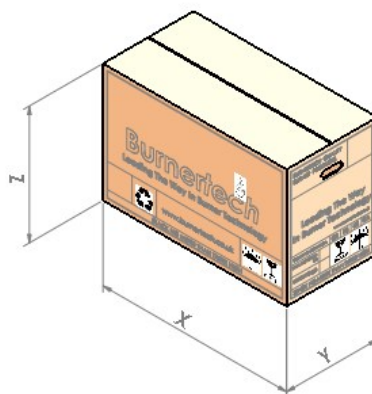


MODEL	C	D2	D3	D4	E			G	2G	J	PCD	R
					mm							
Inverterjet 500HME	224	270	13	189	Variable Length	Min	0	45	90	50	230	6.5
					Max	174						
Inverterjet 600HME	244	280	13	215	Variable Length	Min	0	45	90	50	250	6.5
					Max	194						
Inverterjet 800HME	332	420	13	341	Variable Length	Min	0	45	90	50	380	6.5
					Max	282						
Inverterjet 1000HME	420	420	13	341	Variable Length	Min	0	45	90	50	380	6.5
					Max	370						
Inverterjet 1000HME	478	483	13	397	Variable Length	Min	0	45	90	50	435	6.5
					Max	428						

Packaging

Supplied with:

- User Manual



MODEL	X	Y	Z	QTY / BOX	Box Weight
	mm	mm	mm		mm
Inverterjet 500HME	1200	800	900	1	98
Inverterjet 600HME	1200	800	900	1	105
Inverterjet 800HME	1200	800	900	1	141.5
Inverterjet 1000HME	1200	800	900	1	159.5
Inverterjet 1600HME	1500	800	1000	1	178

FOR TECHNICAL HELP / ADVICE
 Phone: 01204 393 222
 Email: info@burnertech.co.uk
 Visit: www.burnertech.co.uk

BURNERTECH ENGINEERS LIMITED
 Unit C, Lostock Industrial Estate, Lostock Lane
 BL6 4BL, Bolton, UK



CONTACT / SERVICE:



Unit C Lostock Industrial Estate,
Lostock Lane,
BL6 4BL,
Bolton, United Kingdom.

Tel: +44 (0)1204 393222
Fax: +44 (0)1204 394222
Email: enquiries@burnertech.co.uk
Website: www.burnertech.co.uk