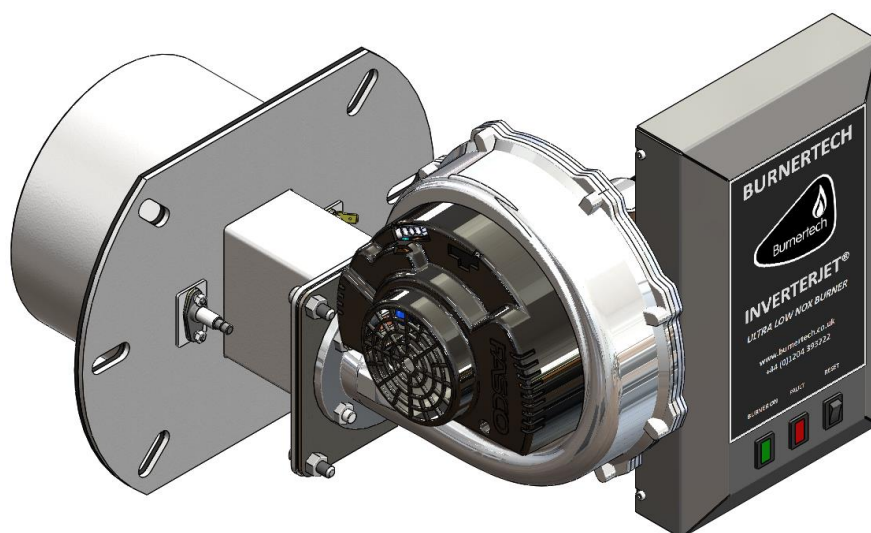


INSTALLATION / SERVICE / USER MANUAL



INVERTERJET PW SERIES 120-150

MODEL	PRODUCT CODE	CLASS
INVERTERJET PW 120M	91341	MODULATING PRE-MIX BURNER
INVERTERJET PW 135M	91358	MODULATING PRE-MIX BURNER
INVERTERJET PW 150M	91342	MODULATING PRE-MIX BURNER

Content

1	Declaration	2
2	Technical Information	4
2.1	Technical Data	4
2.2	Technical Description of the Burner Parts	4
2.3	Burner dimensions and weight	5
2.4	Burner operation	6
2.4.1	Control operation	6
2.4.2	Heat demand	6
2.4.3	Basic sequence of operation	6
2.4.3.1	Burner Fan Speed Cycle and Timing Program	6
3	Installation	7
3.1	General Installation Information	7
3.2	Burner Mounting	8
3.2.1	Standard Burner Mounting Detail	8
3.3	Gas Installation	9
3.4	Electrical Installation	10
3.4.1	Basic Electrical Safety	10
3.4.2	Burner Wiring Diagrams – Inverterjet PW 120M, 135M, 150M	11
4	Commissioning	12
4.1	Commissioning procedure	12
4.1.1	Turning on the Burner	13
4.1.2	Commissioning operation	13
4.1.2.1	Maximum rate CO ₂	13
4.1.2.2	Minimum rate CO ₂	13
4.1.2.3	Burner Heat Input	13
4.1.3	Test Mode	14
4.1.3.1	PC USB Interface	14
5	User Instructions	15
5.1	Limitations on use of burner	15
5.2	Using the Burner	16
5.2.1	Modes of Operation	16
5.2.1.1	Heating Mode	16
6	Servicing	17
6.1	Service Inspection	17
6.1.1	The condition of the burner head	17
6.1.2	The condition of the electrodes	17
6.1.3	The condition of the electrical circuits	17
6.2	Service operation	18
6.2.1	Burner head	18
6.2.2	Electrodes	18
6.2.3	Fan	18
6.2.4	Venturi Unit	18
6.2.5	Re-assembly	19
6.3	Fault Finding	19
6.3.1	Lockouts/Blockings	19
6.3.1.1	Lock-out reset	19
6.3.1.2	Lock-out / Blocking error codes details	19
6.3.2	Maintenance Notes	21

1 Declaration

The Inverterjet burners are state of the art burner system. It utilises the very latest technology to provide a reliable, hot, clean and compact gas heating solution.

A truly market leading product which is;

‘Taking Burner Technology into the 21st Century’.

Please read this manual before Unpacking and Installing the Burner.

For Burner Installation/Operation advise please contact Burnertech

To ensure maximum product reliability, we advise and request that a Burnertech Approved Engineer who has attended our product course conducts the 1st burner commissioning.

For Training, Service or Commissioning information please contact Burnertech

This manual is provided as an integral part of the equipment and its delivery to the end user is essential.

Please keep this manual for future reference, more copies of this manual are available upon request. It is possible to download this Manual and Technical Datasheet from the Burnertech Website (www.burnertech.co.uk).

CONTACT / SERVICE:



Unit C Lostock Industrial Estate,
Lostock Lane,
BL6 4BL,
Bolton, United Kingdom.

Tel: +44 (0)1204 393222
Fax: +44 (0)1204 394222
Email: enquiries@burnertech.co.uk
Website: www.burnertech.co.uk

SPECIAL ATTENTION BOXES

The following defined terms are used throughout this manual to bring attention to the presence of hazards of various risk levels, or to important product information



DANGER

DANGER indicates an imminently hazardous situation which if not avoided will result in death or serious injury.



WARNING

WARNING indicates a potentially hazardous situation which if not avoided, could result in death or serious injury.



CAUTION

CAUTION indicates a potentially hazardous situation which if not avoided, could result in minor or moderate injury.

CAUTION

CAUTION used without a safety alert symbol indicates a potentially hazardous situation which, if not avoided, may result in property damage.

NOTICE

NOTICE is used to address practices not related to personal injury

SAFETY INSTRUCTIONS

SAFETY INSTRUCTIONS (or equivalent) signs indicate specific safety related instructions or procedures

NOTE: Contains additional information important to a procedure

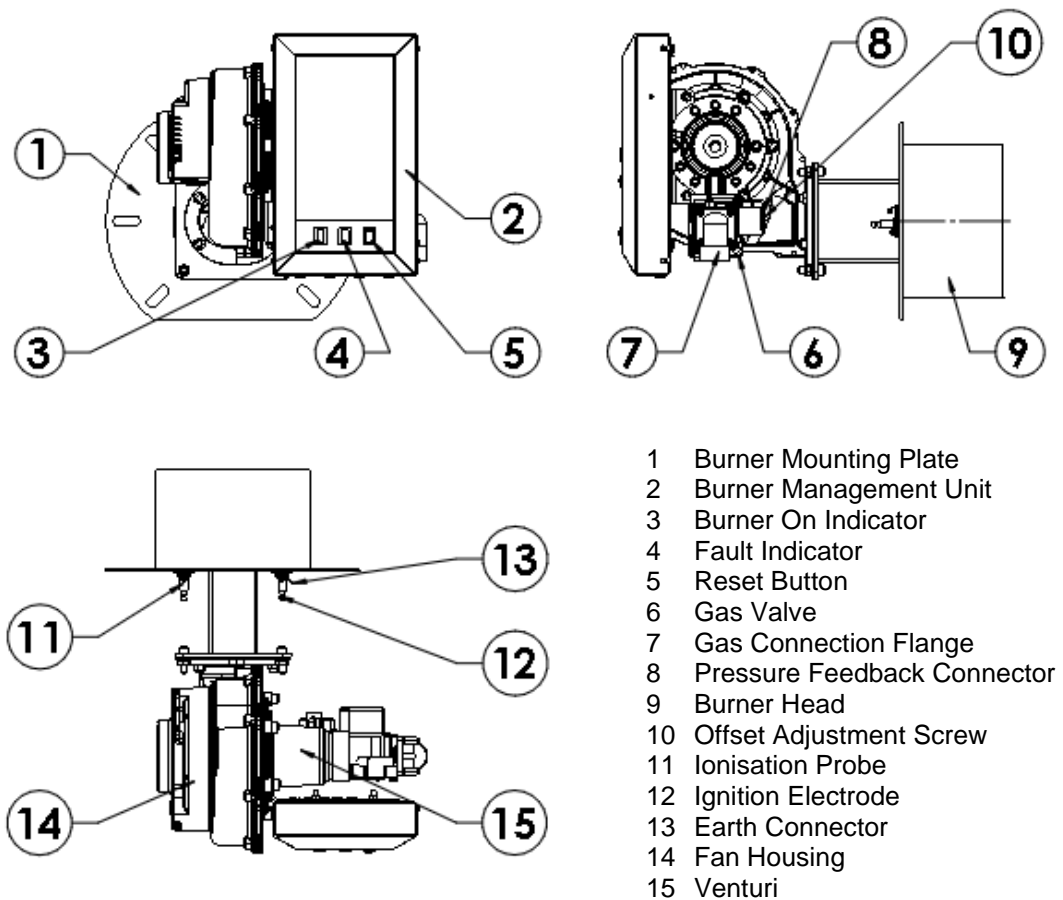
2 Technical Information

2.1 Technical Data

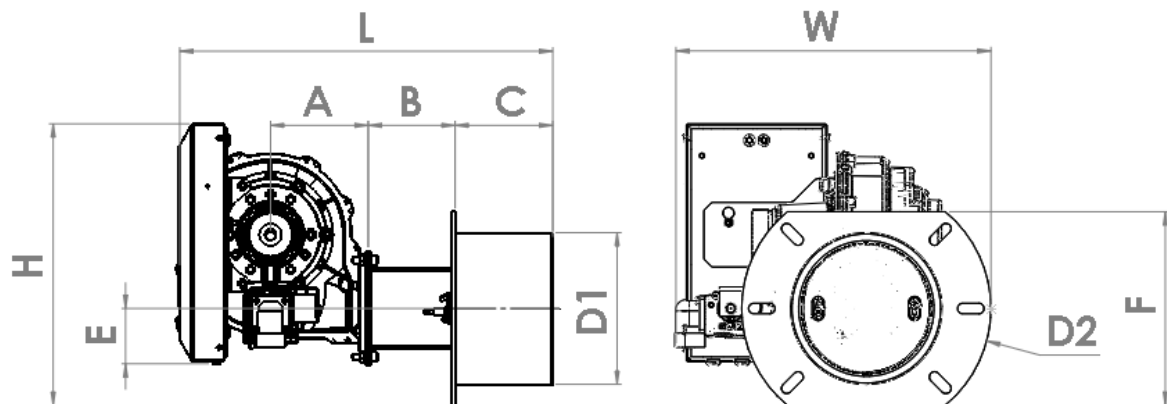
INVERTERJET MODEL			PW 120M	PW 135M	PW 150M
Type			Pre-Mix Burner	Pre-Mix Burner	Pre-Mix Burner
Fuel			Natural Gas / LPG	Natural Gas / LPG	Natural Gas / LPG
Power	Min	kW	26.4	29.6	31.2
	Max	kW	132	148	156
Modulation Range			1:5	1:5	1:5
Nominal Voltage Range		VAC	220..250	220..250	220..250
Frequency		Hz	50/60	50/60	50/60
Phase			1 ~	1 ~	1 ~
Gas Connection Flange Size			3/4" BSP	3/4" BSP	3/4" BSP
Gas Inlet Pressure	Min	mbar	10	17	17
	Max	mbar	50	75	75

2.2 Technical Description of the Burner Parts

The Inverterjet PW 120M, 135M, 150M have the following technical description of the parts.



2.3 Burner dimensions and weight



MODEL	A	B	C	D1	D2	E	F	H	L	W	Weight
	mm	mm	mm	mm	mm	mm	mm	mm	mm	mm	kg
Inverterjet PW 120M	122	108	122	Ø188	Ø310	68	240	349	464	392	12
Inverterjet PW 135M	122	108	122	Ø188	Ø310	68	240	349	464	392	12
Inverterjet PW 150M	122	108	122	Ø188	Ø310	68	240	349	464	392	14

CAUTION

When installing the burner ensure adequate clearance around the burner and any boiler to which the burner is installed.

2.4 Burner operation

2.4.1 Control operation

The microprocessor-based burner controller is made for fan assisted, direct burner ignition applications. The control powers the gas valve and DC-fan. Normal heat demand is given by a 230 VAC switch input.

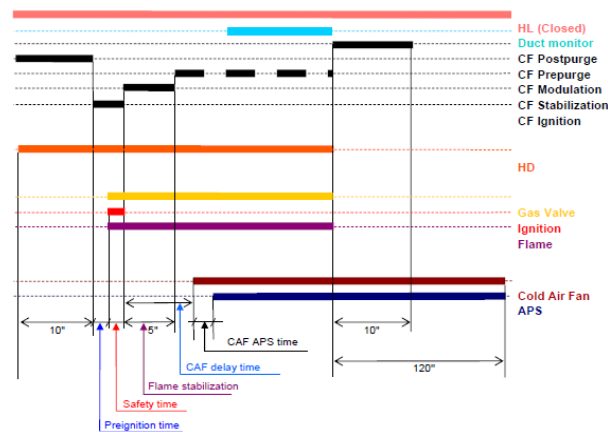
2.4.2 Heat demand

A heat demand can be validated by OT unit, Thermostat (RT) or 0 – 10V analog input.

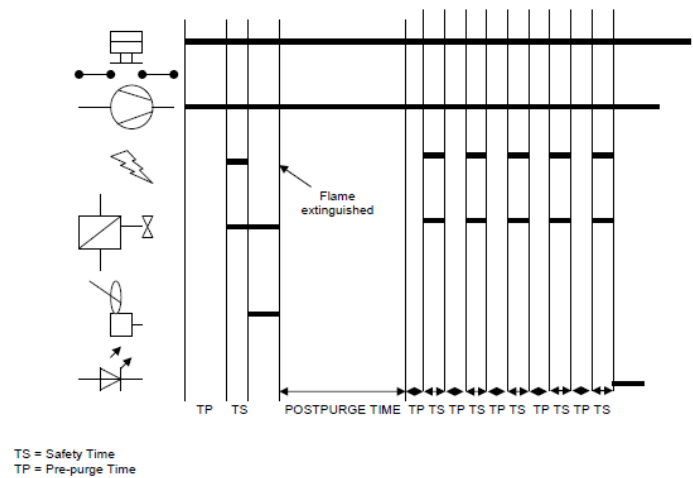
2.4.3 Basic sequence of operation

The normal heating mode is started when a pre-set condition for heat demand is satisfied. When heat demand is received, the controller will start its heating program. The burner will switch on and the PWM output will control the combustion fan (CF) to its “pre-purge fan speed”. If the CF speed is stable (checked by the Tacho input) and the pre-purge time has elapsed, the speed will be set to the “ignition speed” and the control will start ignition after the custom pre-ignition time. Then the gas valve is opened and as the ignition is successful, the CF speed will remain on “stabilization fan speed” for custom stabilization time to stabilise the flame. When the stabilization time is elapsed, the modulation phase starts according to the validation source. See fan speed cycle and timing program below.

2.4.3.1 Burner Fan Speed Cycle and Timing Program



Burner Fan Speed Cycle



Burner Timing Program

NOTE: Configurable to suit the application via PC interface only

3 Installation

3.1 General Installation Information



WARNING

The burner **MUST** be installed by competent personnel such as a Gas safe/ACS registered gas installer in compliance with **ALL** current local Regulations, including any National or International Standards that may apply and according to the manufacturer's instructions as detailed in this manual.

CAUTION

The burners are of the pre-mix type and must be installed in a purpose-designed room with sufficient ventilation openings to comply with the current local Regulations, including any National or International Standards that may apply.

Please ensure the opening in the appliance front is large enough to prevent damage to any of the burner parts during fitting.

IF YOU SUSPECT THE BURNER IS DAMAGED, DO NOT USE. You must report any damage to your supplier immediately and seek further advice.

Before connecting the burner, make sure that the burner rating matches the appliance requirements and that both gas and electrical services are adequately rated.

CAUTION

The Maximum operating conditions for the Gas Valve and Electronic Control are 60°C and 90% RH at 40°C non-condensing

SAFETY INSTRUCTIONS

All packing materials should be stored or disposed of with care, as they may prove harmful to children, animals and the environment.

NOTICE

The manufacturer cannot be held liable for injury to people and animals, or damage to property as a result of improper installation.



WARNING

During installation, the burner **MUST** be firmly secured to the appliance using the burner mounting gasket supplied.

The burner **MUST** be connected to an adequately sized gas supply.

The pipe work **MUST** ensure the minimum required dynamic gas supply pressure is achieved when all appliances are operating.

The gas supply **MUST** have an approved isolation valve adjacent to the burner and appropriate means of disconnection for removal of the burner for service and repair.

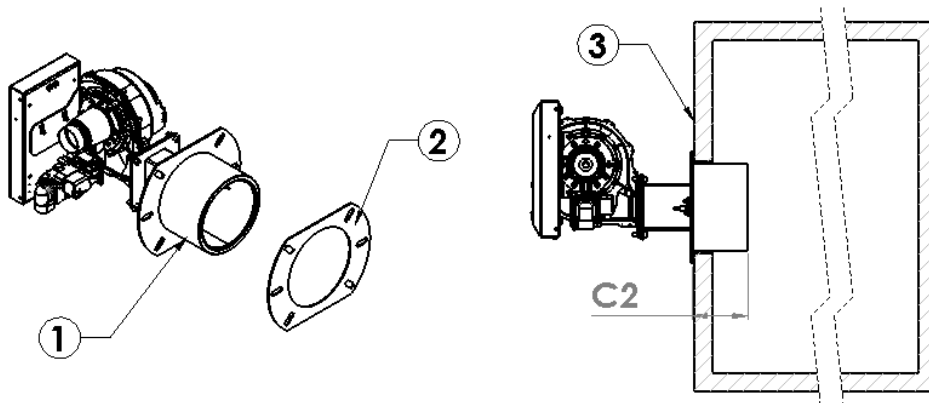
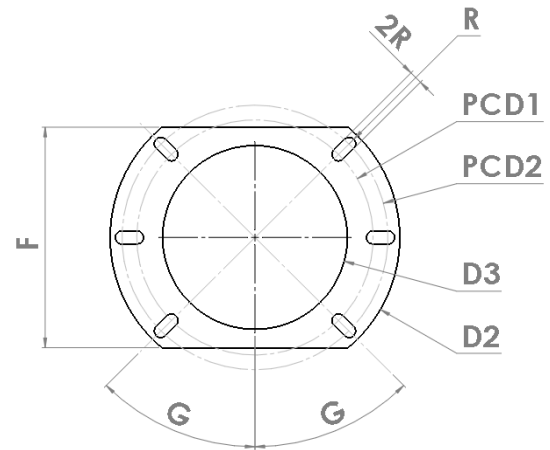
The electrical supply to the burner **MUST** have a suitable electrical isolation switch. This is required to have a contact separation of at least 3mm in all poles. The burner **MUST** be adequately earthed and installed as required by the current local Safety and Electrical Regulations, and any National or International Standards that apply.

3.2 Burner Mounting

To mount the burner, suitable mounting studs or threads for bolts need to be provided for the burner mounting plate. Appropriate dimensions are shown below. When installing the burner, please be sure to use the gasket provided for sealing and insulating between the mounting plate and the bearing wall of the appliance.

3.2.1 Standard Burner Mounting Detail

1. Burner Head
2. Burner Mounting Gasket
3. Boiler Door



MODEL	C2	D2	D3	F	G	PCD1	PCD2	R	2R
	mm	mm	mm	mm	deg.	mm	mm	mm	mm
Inverterjet PW 120M	118	Ø 310	Ø 190	240	45°	Ø240	Ø280	6.5	13
Inverterjet PW 135M	118	Ø 310	Ø 190	240	45°	Ø240	Ø280	6.5	13
Inverterjet PW 150M	118	Ø 310	Ø 190	240	45°	Ø240	Ø280	6.5	13

CAUTION

If the appliance is of the 'Reverse Flame' type, we strongly recommend that high temperature ceramic insulation is used to back fill between the burner head and appliance door front to prevent overheating around the burner mounting plate. A dedicated mounting plate can be provided upon request.

3.3 Gas Installation



WARNING

Before commencing the installation, ensure that the gas supply is turned off and that all electrical supplies to the burner are also disconnected.

When connecting a pipe to the Gas Valve inlet always use a sound taper fitting with thread according to ISO 7-1 or a piece of new, properly reamed pipe, free from swarf, dirt or debris.

The burner **MUST** be connected to an adequately sized gas supply. The pipe work must ensure the minimum required dynamic gas supply pressure is achieved when all appliances are operating.

The gas supply **MUST** have an approved isolation valve adjacent to the burner and appropriate means of disconnection for removal of the burner for service and repair.

To Install the Gas supply to the Burner, follow the instruction below:

1. Remove the seal in front of the gas connection flange at the rear of the burner
2. Check the thread on the flange and ensure that there is no debris in the threads
3. Connect the corresponding gas pipe/fittings to the gas connection flange in the burner.
4. Tighten the gas pipe/fittings and the Gas connection flange securely, ensuring that there is no possibility for gas leakage.

CAUTION

DO NOT over-tighten gas pipe/ fittings on to the burner as this can cause damage and may affect the gas soundness of the burner.

ALWAYS clean off excess pipe thread cutting oil from gas pipe work before connection to the gas valve. Thread cutting oil will damage the gas valve and will void the warranty supplied with the burner.

ALL gas pipe work installations/ connections to the burner **MUST** be purged and tested for gas soundness by suitably qualified personnel such as a Gas safe/ACS Registered Engineer and **MUST** comply with all Local and National Standards and Regulations before the burner is operated.

3.4 Electrical Installation



WARNING

Suitably qualified and competent personnel must carry out the electrical installation.

Before commencing the installation, ensure that all electrical supplies to the burner are disconnected and that the gas supply is turned **OFF**.

A means of disconnection from the supply having a separation of at least 3mm in all poles **MUST** be provided.

The electrical wiring diagram for the burners is shown in section 3.4.2 below

CAUTION

The burner **MUST** be connected as shown on the burner wiring diagram and **NOT** as shown on any other wiring diagrams.

NOTICE

You **MUST** always comply with the basic safety and electrical regulations that are in force when carrying out the electrical installation of the burner. This includes Statutory Regulations and National and International Standards where they apply.

3.4.1 Basic Electrical Safety



WARNING

Do not allow children or inexperienced people to use the burner.

Do not touch the burner with any wet or damp parts of the body.

Do not pull or strain electrical cables.

Do not leave the burner exposed to the weather unless expressly required to do so.

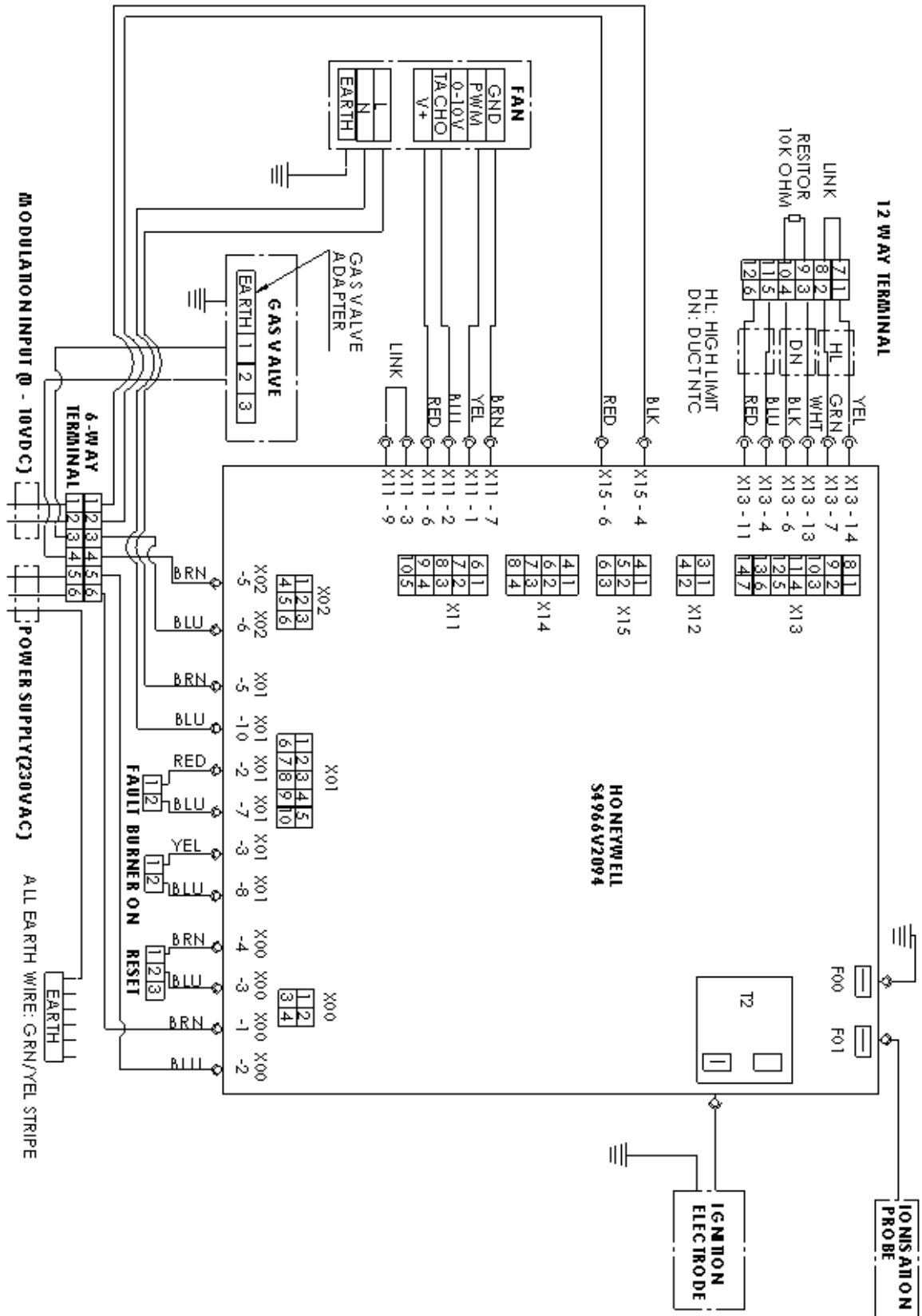
The burner must be adequately earthed and installed as required by current safety and electrical regulations. Earthing must not be made to any gas carrying components.

Ensure the supply input cable is adequate for the power demand of the burner.

The use of adaptors, multiple outlet or extension cables to connect the burner to the electrical supply is **NOT** permitted.

The burner input cable must not be replaced by the user. In case of damage to the cable, isolate the burner and contact suitably qualified personnel to perform the replacement.

3.4.2 Burner Wiring Diagrams – Inverterjet PW 120M, 135M, 150M



4 Commissioning

NOTICE

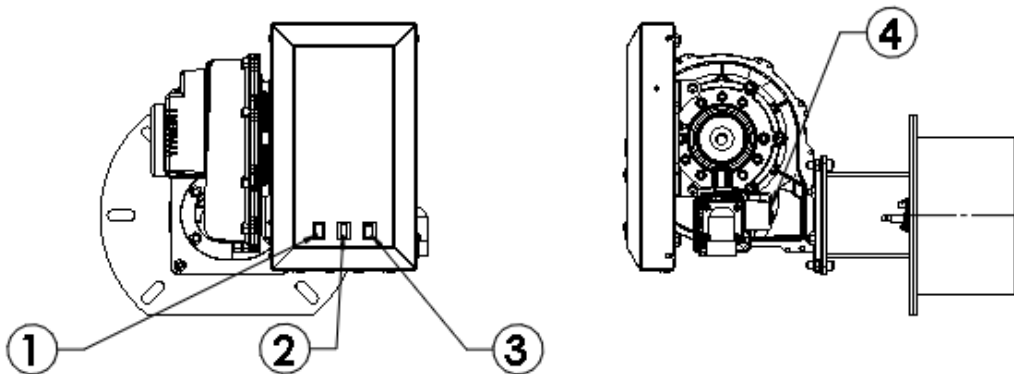
All Inverterjet premix burners are test fired in the factory prior to despatch to the customer. Whenever possible, Burnertech prefer to pre-set the maximum and minimum fan speed to assist the commissioning process

In order to ensure maximum product reliability, we advise and request that a Burnertech approved engineer conduct the 1st burner commissioning. Failure to comply with this requirement may result to inappropriate burner setting which can lead to damage to property and injuries to personnel.

4.1 Commissioning procedure

To start the commissioning procedure, follow the steps below:

1. Connect a manometer to the gas inlet pressure test nipple on the burner gas inlet connection.
2. Locate CO/CO₂ combustion analyser into flue pipe as close as possible to the appliance outlet.
3. Confirm and record that adequate ventilation is available for the safe operation of the burners.
4. Establish that the system pipe work is complete, fully purged and adequate system load and circulation exists to facilitate firing of the burners.
5. Turn 'On' the gas supply and ensure adequate static gas pressure is available at the burner inlet.
6. Locate the position of the throttle adjustment screw (If present)
7. Locate the position of the offset adjustment screw



- 1 Burner 'On' Indicator
- 2 Fault Indicator
- 3 Reset Button
- 4 Offset Adjustment Screw

4.1.1 Turning on the Burner



WARNING

FIRE AND/OR EXPLOSION HAZARD

DO NOT Ignite the Burner until all supply and Installation checks have been made and the test equipment is ready and connected in order to conduct the commissioning procedure.

8. Turn 'On' the main electrical supply and turn "On" the burner. The burner fan will start and pre-purge. The burner control will then drive the fan to a pre-set ignition speed. The ignition spark is generated at this point and the burner will ignite. The burner will then modulate to the pre-set fan speed.

4.1.2 Commissioning operation

NOTE: During the burner commissioning, the maximum and minimum fan speeds can be adjusted if required. The fan speed can be adjusted using the dedicated PC software.

Adjustment of the ignition speed is not recommended as this may affect the reliability of operation and can only be done using the dedicated PC software.

Since the inverterjet can be used in a multitude of different applications, then the CO₂ should be adjusted to suit the application to which the burner is fitted.

4.1.2.1 Maximum rate CO₂

The maximum CO₂ may be adjusted by use of the throttle screw. turning clockwise decreases the value and anti-clockwise will increase the value.

9. Adjust the burner output to high fire by increasing the fan speed
10. Measure the flue CO₂ level and adjust the throttle screw to bring the level to between 9 and 9.5%.

CAUTION

Generally, the CO₂ should not normally exceed 9.5% on NG or 11% on LPG. We recommend that the operating CO₂ is between 0% to +0.5 % higher at maximum fan speed than at minimum.

4.1.2.2 Minimum rate CO₂

Minimum CO₂ should be adjusted using the offset adjustment screw.

Remove the T40 Torx cap (if present) and turn the screw anti-clockwise to decrease the CO₂ and clockwise to increase the CO₂. This adjustment should ideally be made with the use of a micromanometer to help ensure that it is set accurately as this is a sensitive adjustment

11. Adjust the burner output to low fire.
12. adjust the offset adjustment screw (4) to bring the CO₂ level to between 8.5 and 9%.
13. Changing the high fire setting will affect the low setting but changing the low setting will have minimal effect on the high setting. It may therefore be necessary to repeat step 9 to 12 several times in order to achieve the acceptable level of CO₂ at both firing rates.
14. Analyse the flue products on both high and low fire. In both cases, ensure that all readings (CO₂, CO and O₂) are within acceptable figures.

4.1.2.3 Burner Heat Input

15. With an appropriate gas meter, conduct a heat input measurement whilst operating at maximum rate. Ensure the rate is within $\pm 5\%$ of that required for the appliance. If the heat input is outside the required $\pm 5\%$ tolerance, adjust the fan speed until a satisfactory input is achieved.
16. Record all combustion input and working gas pressures and return the burner to normal run condition.

4.1.3 Test Mode

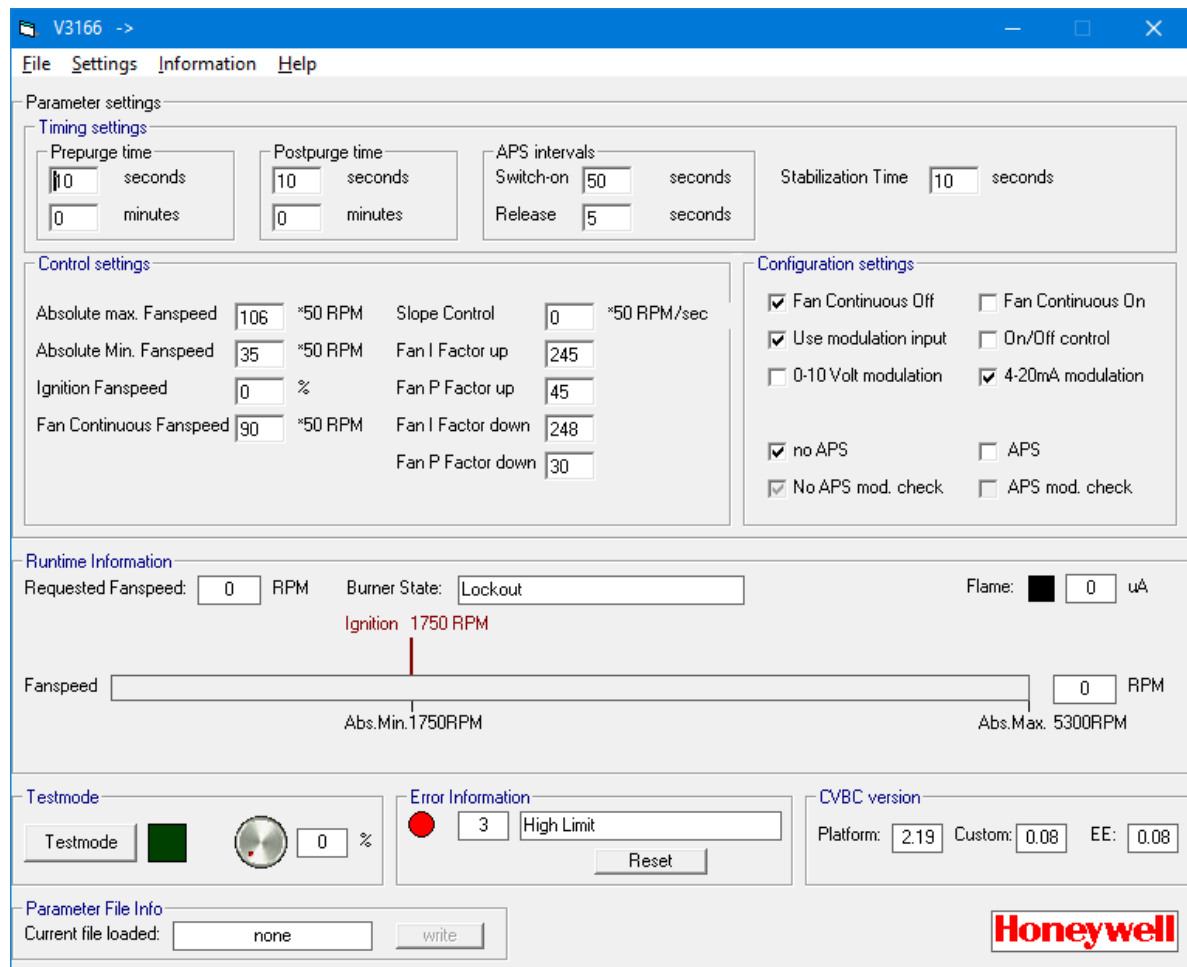
The test mode can be used to manually control the burner with external communication.

4.1.3.1 PC USB Interface

If required, a windows-based software along with a dedicated USB cable and driver is available to enable programming of certain parameters in the control and also to read fault codes, etc.

NOTE: Please contact Burnertech for more information relating to this option.

An example screenshot is shown below.



5 User Instructions

5.1 Limitations on use of burner



CAUTION

The burner **MUST** not be operated before a suitably qualified Burnertech Approved Engineer has conducted a 1st Commissioning. Failure to comply with this requirement may result to improper burner settings which can lead to damage to property and injuries to personnel

The burner **MUST** only be operated when installed into an appliance connected to a suitable flue system. All other uses are improper and therefore dangerous.

The burner **MUST** be electrically connected as described and shown in this manual. The regulating and safety equipment of the burner and associated appliance, which ensure the safe and proper operation of the burner, are of great importance.

CAUTION

Burnertech recommend a 12-month Service Interval for the burner.

If the appliance is of the **Reverse flame** type, we **strongly** recommend that high temperature ceramic insulation is used to back fill between the burner head and door of the appliance.

On-Site' modification of burner components or internal wiring is **strictly forbidden**.

Never dismantle any part of the burner or installation unless professionally qualified to do so. Improper handling can lead to damage of the burner.

The burners are not suitable for dusty process applications without prior modification by Burnertech and/or air filter protection.

DO NOT operate the burner in dusty environments for long periods of time or whilst sweeping the boiler plant room. Dust ingress can cause blocking of the burner combustion head leading to reduced heat input and a significant increase in the chance of premature burner failure.

CAUTION

The Maximum operating conditions for the Gas Valve and Electronic Control are 60°C and 90% RH at 40°C non-condensing

5.2 Using the Burner

5.2.1 Modes of Operation

The Burner controller has the following modes of operation.

MODES	DESCRIPTION
STANDBY MODE	The igniter is off, the gas valve is closed, and the fan is off. Fan overrun time is finished and continuous fan speed option is switched off.
FROST PROTECTION	Protect dwelling from freezing when no heat demand has been given.
HEATING MODE	Activated when external heat demand is given. The heat demand can be validated by OT unit, Room Thermostat (RT) or 0 – 10V input.
TEST MODE	Activated when external test mode heat demand is given
ERROR / FAULT	Any violation of (programmable) limits (and/or internal thermostat functions) will lead to an error/fault or blocking condition.
VENTILATION MODE	Allows for the Air circulation fan to run continuously
DESTRATIFICATION MODE	Allows air destratification if no heat demand is present
OUTSIDE TEMPERATURE CONTROL MODE	When the control setpoint is based on the outside temperature.

5.2.1.1 Heating Mode

Turn 'On' the main electrical supply and turn on the burner by pressing the "Burner On" button in the burner management unit. The burner fan will start and pre-purge. The burner controller will then drive the fan to a pre-set ignition speed. The ignition spark is generated at this point and the burner will ignite.

If satisfactory ignition takes place, the burner will remain alight and the fan speed will modulate in response to the modulation signal input.

If satisfactory ignition does not take place, the burner will go through 'Post-purge' and 'Pre-purge' before re-attempting 'Ignition'.

This re-cycle will take place three times (depending on the settings) before the burner will enter a Lock-out condition which will require manual reset by the user by depressing the reset button to restart the burner ignition sequence.

NOTE: The maximum number of remote resets in one hour is five
--

6 Servicing

NOTICE

We recommend that a Bumertech Approved Engineer, who will have the specific product knowledge and genuine spare parts carry out service and repair operations to ensure continued reliability of the burner system.

A suitably qualified and competent engineer such as a Gas safe/ACS Registered Installer must carry out all the maintenance operations discussed in this section at least once a year. In the case of seasonal servicing, it is recommended that the service operations be carried out at the end of each heating season. In the case of continuous operation, the service operations should be carried out every six months.



WARNING

Isolate all gas and electrical supply before carrying out any service or repair on the burner.

Before removing the burner from the appliance:

1. Ensure you have a replacement burner mounting gasket for re-fitting the burner afterwards.
2. Prepare an appropriately sized and relatively clean and tidy work area to conduct the maintenance operation.

6.1 Service Inspection

Isolate and disconnect both the gas and electrical supplies from the burner. Supporting the weight of the burner, carefully remove the fixings securing it to the appliance and withdraw it from the chamber.

6.1.1 The condition of the burner head

some discolouration of the burner material is normal, but the material should not be cracked or open. The perforated holes in the burner tube beneath the material should not be visible. Inspect the flange of the burner head for any signs of cracking or severe overheating, which may indicate leakage.

Any serious burner head defect would constitute an 'Immediate Danger' and the burner **SHOULD NOT** be put back into operation until adequately repaired.

6.1.2 The condition of the electrodes

Check the ceramics are not cracked or damaged and check that the wire is not damaged.

NOTICE

The electrode wires are manufactured from a special metal specifically designed to remove the need for cleaning and withstand very high operating temperatures without movement. However, this special metal can become brittle.

DO NOT clean the electrodes and if adjustment is required always try and adjust the wires near to the ceramic and preferably using a blowtorch to pre-heat the wire.

6.1.3 The condition of the electrical circuits

Check the condition and integrity of the internal burner wiring harness and plugs, ensuring that all connections are secure. Check that both the ignition and probe leads are in good condition.

6.2 Service operation



WARNING

To commence a service operation of the burner, the gas and electrical supply must be turned off and completely isolated from the burner.

6.2.1 Burner head

The burner head should be examined carefully for cracks and/or damage. If there are signs that there has been over heating of the material or dust on the burner face, the burner head must be removed from the burner. Close examination of the silver foil at the rear of the inside of the burner head should be done and if all is okay, the inside of the burner head should be blown out using compressed air.

If the inside of the burner head is found to be severely blocked with dust and dirt, examine the burner material more closely. It is likely that the material will have overheated due to the blockage and will be blackened in appearance and may need replacing. If so, the customer is advised to protect the burner from dust ingress and/or increase the service intervals.

CAUTION

CAUTION Do not use abrasive brushes on the burner combustion head

6.2.2 Electrodes

Inspect the ignition and flame electrodes, if extensive signs of damage are detected, they must then be removed and replaced.

6.2.3 Fan

The fan is not a serviceable component. Simply ensure it is positively secured and sealed. The gasket material, electrical plug connections and cover must be secure and in good condition. The fan case has gas tight seals and the fan casing must never be opened. Due to the 1:1 gas/ air ratio operating principle of the burner, a reduction in fan performance (i.e. dust build up) will not result in unsafe burner performance.

The gas flow is directly proportional to the air flow therefore any reduction in fan flow would simply result in a gradual reduction of the appliance heat input.

6.2.4 Venturi Unit

Examine and clean the venturi unit checking that it is securely attached, and that any gasket is in good condition. Ensure that any air pressure sensing point is secure and unobstructed (if fitted).

Cleaning: Using a cloth, soft brush and vacuum, carefully remove any dust and grime from the whole burner assembly taking care not to disturb electrical connections.



DANGER

NEVER use water on or around any of the burner electrical connections.

6.2.5 Re-assembly

Using a new replacement gasket, carefully and securely slide the burner head up until the gasket and the mounting plate are in contact with the door of the appliance. Refit the burner into with the appliance using the fixings.

Re-connect the gas and electrical connections.

Check for gas soundness as detailed by Local, National Standards and Regulations and turn 'ON' the Gas and Electrical supplies.

Finally check and record the combustion and ventilation performance of the burner. Check the basic operation/control of appliance before restoring automatic control to any boiler management system (if applicable).

6.3 Fault Finding

6.3.1 Lockouts/Blockings

Several checks are included to protect the boiler and its environment. High limit switch is constantly monitored, safety times are constantly compared etc.

Any violation of (programmable) limits (and/or internal thermostat functions) will lead to an error/fault or warning condition. The fan will not operate if there is a lockout or blocking condition.

6.3.1.1 Lock-out reset

Severe error will cause a lockout condition which can be cleared by pressing the reset button on the burner management unit. Blocking error will be resolved automatically if the cause of the error disappeared.

Error codes / Faults can be divided in two groups:

- Lock-out condition codes;
- Blocking condition codes.

6.3.1.2 Lock-out / Blocking error codes details

Blocking errors are distinguished with codes from 30 onward. A complete list of errors is given in the following table:

NOTE: The Error / Fault codes are visible only through a PC interface

ERROR CODE	DESCRIPTION	CAUSE AND POSSIBLE SOLUTION
LOCK-OUT ERRORS		
01	Flame lockout after several ignition trials	Lockout signal after no flame and all ignition trials are expired. This error condition is stopping the boiler from running. To get to the normal operation again, manual/remote reset is required. By using the local reset key, number of resets are not limited. However, all remote resets (communication) are limited to 5 resets per hour.
02	False Flame Indication	Error is created if flame current is detected in illegal situations (no heat demand currently present, gas valve closed, safety time passed). This error condition requires manual reset action.
03	High Limit error	High Limit error is created if the safety cut-off switch opens due to an overheat situation in the application,
04	Cold Air Fan APS error	Cold Air Fan APS error is created if Air Pressure Switch does not close after Cold Air Fan APS time or opens during the running mode.

05	Fan Tacho signal error	Fan Tacho signal error is created If Tacho signal from fan is not present 30 seconds after new heat demand,
08	Flame circuit error	During normal operation of the ignition controller, flame circuit is regularly checked. This check has predictable behaviour and several steps. If check fails, error 8 will be set.
09	Gas valve driver circuit error	During normal operation of the ignition controller, valve drive circuit is regularly checked. This check has predictable behaviour and several steps. If check fails, error 9 will be set.
13	Remote reset lockout (volatile)	All remote resets (communication) are limited to 5 resets per hour. This limit is handled by MMI. If the limit is exceeded, error will be generated and to reset it, power off/on is necessary.
21	ADC error	ADC error – internal controller error.
25	CRC error	CRC error – matching error on CRC codes (different software versions).
26	Flame lost 5 times in 4 minutes.	Error is set when Flame lost 5 times in 4 minutes.
BLOCKING ERROR		
30	Duct Air Sensor short	Duct Air Sensor out of normal operating range (open Circuit) – resolving type. If NTC sensor goes outside the range, warning will be generated. In case sensor is back to the normal operating range, warning is gone. Warning will switch off the system. Heat demands will be disabled. Resolving situation can be achieved only if the sensor is within operating range again.
31	Duct Air Sensor open	Duct Air Sensor out of normal operating range (open Circuit) – resolving type. If NTC sensor goes outside the range, warning will be generated. In case sensor is back to the normal operating range, warning is gone. Warning will switch off the system. Heat demands will be disabled. Resolving situation can be achieved only if the sensor is within operating range again.
34	Low Mains Voltage	Low Mains voltage (less than 150 +/- 10 VAC) will trigger this error. When Mains brought back (VAC), error is resolved in 10 seconds.
60	Custom High Limit error	Custom High Limit error – If the Duct reaches the “Safety setpoint”, the error is set. The error will be resolved when the Duct temperature becomes lower than “Safety setpoint” - 20° C.
77	Parameter Configuration Setting error	Error is set when parameter configuration setting is changed after automation detection. The 3 dedicated inputs could have a fail in their own circuitry, or the external configuration is accidentally changed.



CONTACT / SERVICE:



Unit C Lostock Industrial Estate,
Lostock Lane,
BL6 4BL,
Bolton, United Kingdom.

Tel: +44 (0)1204 393222
Fax: +44 (0)1204 394222
Email: enquiries@burnertech.co.uk
Website: www.burnertech.co.uk