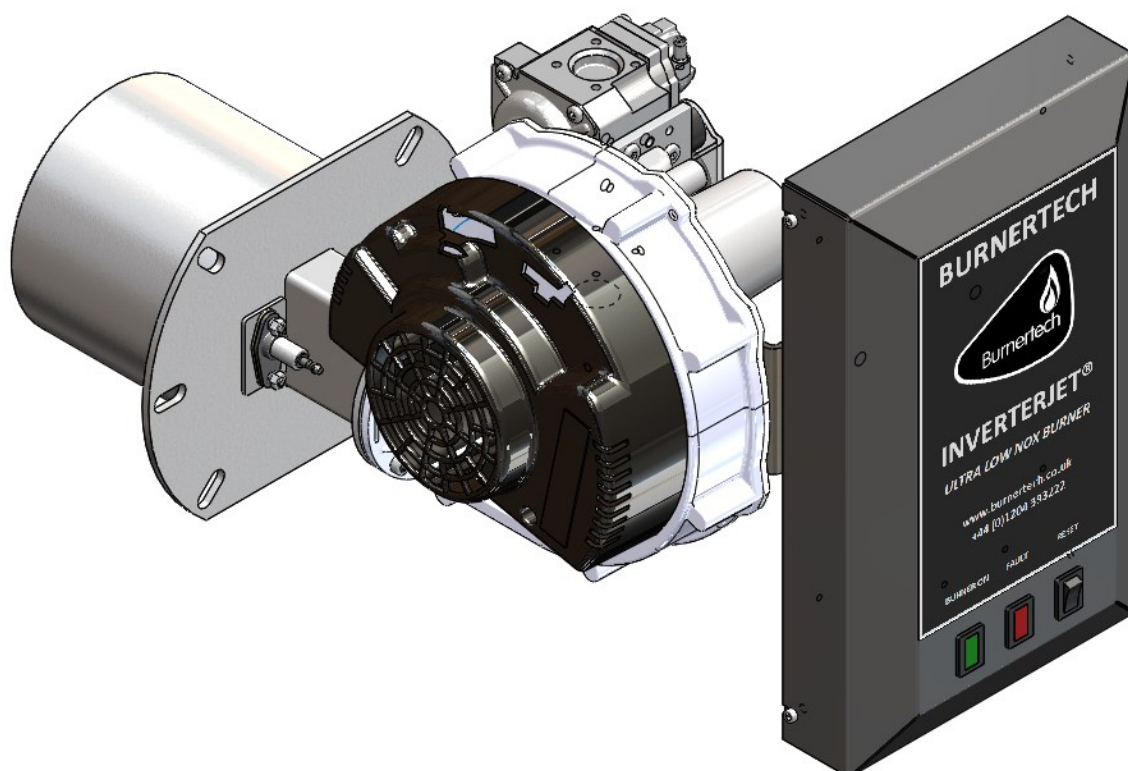




Leading The Way In Burner Technology

# INVERTERJET PW SERIES 30-90

## MODULATING GAS BURNER



# INVERTERJET PW SERIES 30-90

MODEL	PRODUCT CODE	CLASS
INVERTERJET PW 30M	91337	MODULATING PREMIX BURNER
INVERTERJET PW 45M	91338	MODULATING PREMIX BURNER
INVERTERJET PW 60M	91339	MODULATING PREMIX BURNER
INVERTERJET PW 90M	91340	MODULATING PREMIX BURNER

99053 (1) 05/03/2020, Subject to Modification.

FOR TECHNICAL HELP / ADVICE  
Phone: 01204 393 222  
Email: [info@burnertech.co.uk](mailto:info@burnertech.co.uk)  
Visit: [www.burnertech.co.uk](http://www.burnertech.co.uk)

BURNERTECH ENGINEERS LIMITED  
Unit C, Lostock Industrial Estate, Lostock Lane  
BL6 4BL, Bolton, UK



*Leading The Way In Burner Technology*

# INVERTERJET PW SERIES 30-90

## MODULATING GAS BURNER

Heat outputs [Kw]: 6.6 - 99

Pre-mix low NOx: <10ppm

Low CO: < 10ppm

Stable modulation: 5 : 1

Precise control of combustion

Stable Pneumatic Control

the Inverterjet Pw series burners are composed of precision machined components.

The fully patented burner head is a special metallic fibre which has an inverted flame that simulates a standard gas burner but has the advantage of forward flame, yet is fully premixed and consequently gives very clean and stable combustion.

The pneumatic mixing system allows for control of the gas and air mix throughout the modulation range.

The microprocessor based burner controller is made for fan assisted, direct burner ignition applications. The control operates on 230/110 volts, 50-60 Hz and drives the gas valve and DC-fan. Normal heat demand is given by a 230 /110 VAC switch input. Modulation can be controlled by incorporating N.T.C sensors or by external 0 - 10V/4 - 20mA signal.

A special test mode controlled through the communication port of the controller can be used to service and initially set up the burner.

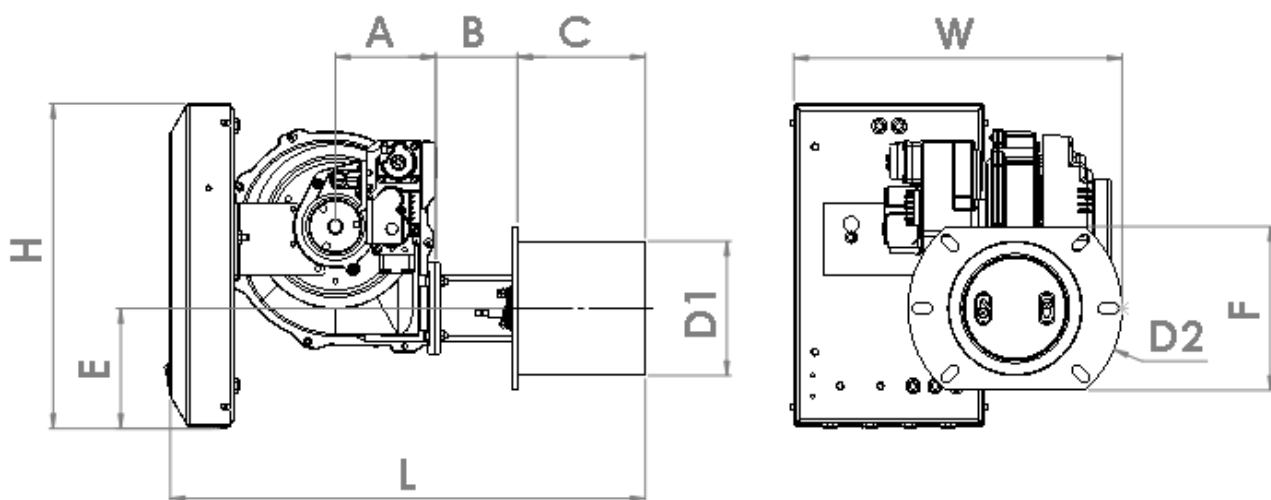


Leading The Way In Burner Technology

# INVERTERJET PW SERIES 30-90

## MODULATING GAS BURNER

### Burner Dimensions



MODELS	A	B	C	D1	D2	E	F	H	L	W	Weight
	mm	mm	mm	mm	mm	mm	mm	mm	mm	mm	kg
Inverterjet PW 30M	92	75	117	Ø123	Ø196	110	150	298	436	303	7.5
Inverterjet PW 45M	92	75	117	Ø123	Ø196	110	150	298	436	303	7.5
Inverterjet PW 60M	92	75	117	Ø123	Ø196	110	150	298	440	303	8.1
Inverterjet PW 90M	92	75	117	Ø123	Ø196	110	150	298	440	303	8.1

FOR TECHNICAL HELP / ADVICE  
 Phone: 01204 393 222  
 Email: [info@burnertech.co.uk](mailto:info@burnertech.co.uk)  
 Visit: [www.burnertech.co.uk](http://www.burnertech.co.uk)

BURNERTECH ENGINEERS LIMITED  
 Unit C, Lostock Industrial Estate, Lostock Lane  
 BL6 4BL, Bolton, UK

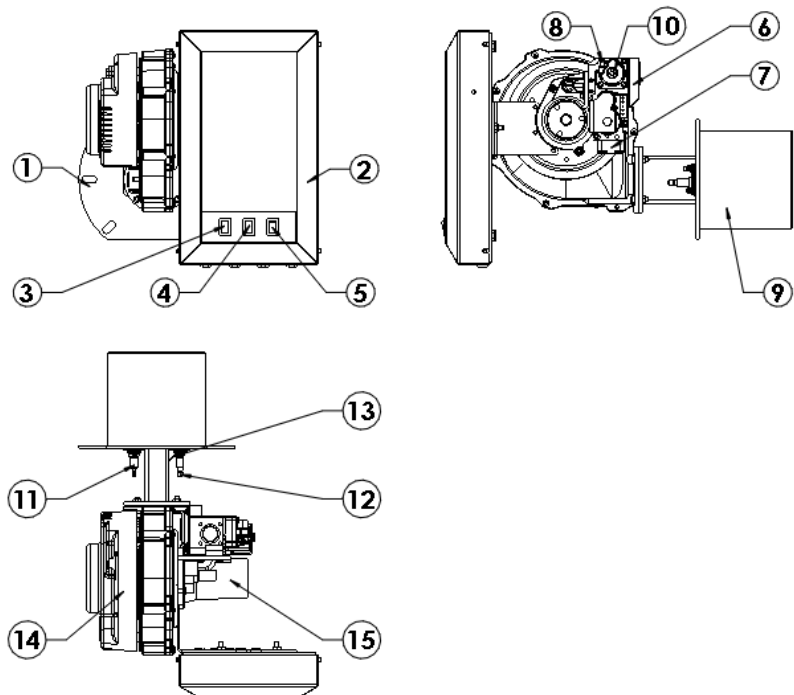
# INVERTERJET PW SERIES 30-90

## MODULATING GAS BURNER

### Technical Data

INVERTERJET MODELS	PW 30M	PW 45M	PW 60M	PW 90M
Type	Pre-Mix Burner	Pre-Mix Burner	Pre-Mix Burner	Pre-Mix Burner
Fuel	Natural Gas	Natural Gas	Natural Gas	Natural Gas
Power Max-min [kW]	33 – 6.6	48 – 9.6	66 – 13.2	99 - 19.8
Modulation:	5 : 1	5 : 1	5 : 1	5 : 1
Nominal Voltage [VAC]	220..250	220..250	220..250	220..250
Frequency [Hz]	50/60	50/60	50/60	50/60
Phase	1 ~	1 ~	1 ~	1 ~
Gas Connection	1/2" BSP	1/2" BSP	1/2" BSP	1/2" BSP
Gas Pressure Min - Max [mbar]	10 - 50	10 - 50	10 - 50	10 - 50
NOx level [ppm]	<10	<10	<10	<10
CO [ppm]	<10	<10	<10	<10

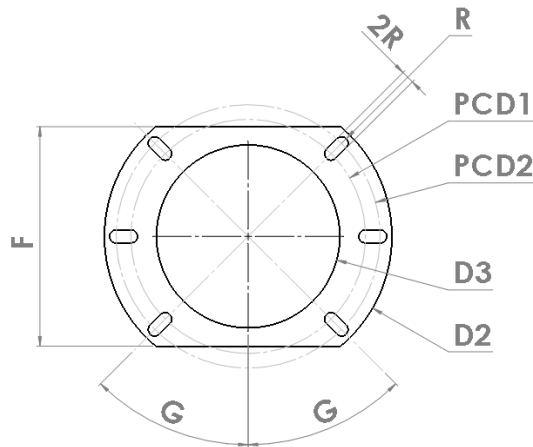
- (1) Burner Mounting Plate
- (2) Burner Management Unit
- (3) Burner On Indicator
- (4) Fault Indicator
- (5) Reset Button
- (6) Gas Valve
- (7) Gas Valve Connector
- (8) Pressure Feedback Connector
- (9) Burner Head
- (10) Offset Adjustment Screw
- (11) Ionisation Probe
- (12) Ignition Electrode
- (13) Burner Head Earth
- (14) Fan Housing
- (15) Venturi



# INVERTERJET PW SERIES 30-90

## MODULATING GAS BURNER

### Mounting Gasket Dimensions

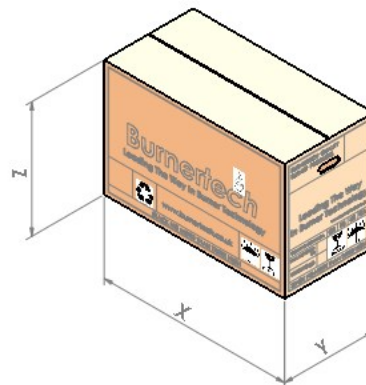


Model	D2	D3	G	PCD1	PCD2	R	2R
	mm	mm	Deg.	mm	mm	mm	mm
Inverterjet PW 30M	196	125	45°	Ø 160	Ø 180	4.5	9
Inverterjet PW 45M	196	125	45°	Ø 160	Ø 180	4.5	9
Inverterjet PW 60M	196	125	45°	Ø 160	Ø 180	4.5	9
Inverterjet PW 90M	196	125	45°	Ø 160	Ø 180	4.5	9

### Packaging

#### Supplied with:

- User Manual
- Filter Kit (Optional)



Model	X	Y	Z	Qty. / Box	Weight (Full Box)
	mm	mm	mm		kg
Inverterjet PW 30M	600	400	320	1	9.5
Inverterjet PW 45M	600	400	320	1	9.5
Inverterjet PW 60M	600	400	320	1	10.1
Inverterjet PW 90M	600	400	320	1	10.1



*2021 Compliant for seasonal NOx.*

**CONTACT / SERVICE:**



Unit C Lostock Industrial Estate,  
Lostock Lane,  
BL6 4BL,  
Bolton, United Kingdom.

Tel: +44 (0)1204 393222  
Fax: +44 (0)1204 394222  
Email: [enquiries@burnertech.co.uk](mailto:enquiries@burnertech.co.uk)  
Website: [www.burnertech.co.uk](http://www.burnertech.co.uk)

