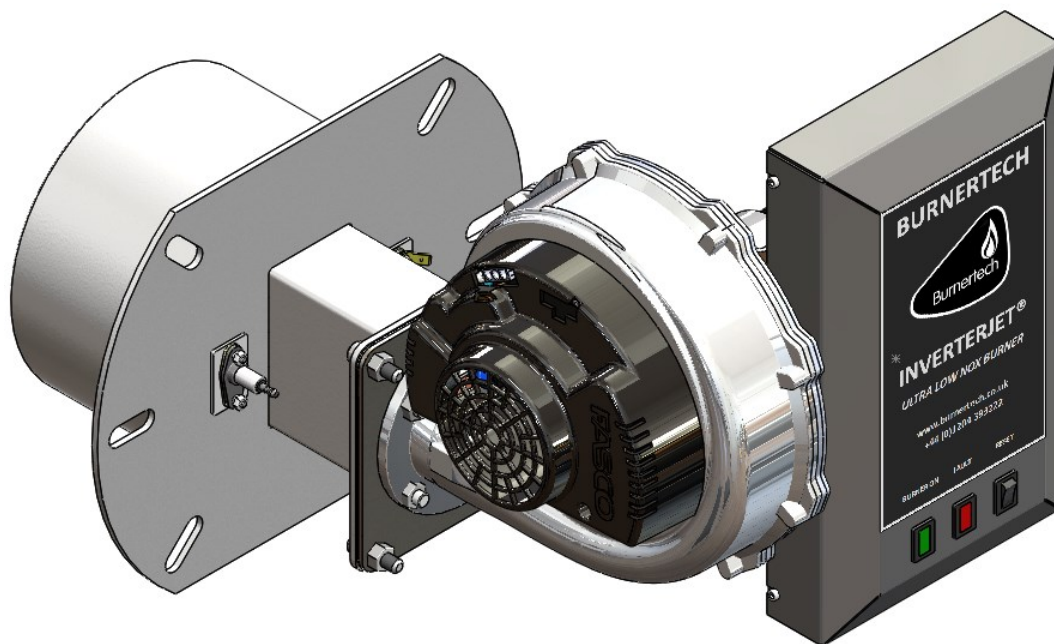




Leading The Way In Burner Technology

INVERTERJET PW SERIES 120-150

MODULATING GAS BURNER



INVERTERJET PW SERIES 120-150

MODEL	PRODUCT CODE	CLASS
INVERTERJET PW 120M	91341	MODULATING PREMIX BURNER
INVERTERJET PW 135M	91358	MODULATING PREMIX BURNER
INVERTERJET PW 150M	91342	MODULATING PREMIX BURNER

99054 (1) 05/03/2020, Subject to Modification.

FOR TECHNICAL HELP / ADVICE
Phone: 01204 393 222
Email: info@burnertech.co.uk
Visit: www.burnertech.co.uk

BURNERTECH ENGINEERS LIMITED
Unit C, Lostock Industrial Estate, Lostock Lane
BL6 4BL, Bolton, UK



Leading The Way In Burner Technology

INVERTERJET PW SERIES 120-150

MODULATING GAS BURNER

Heat outputs [Kw]: 26.4 - 156

Pre-mix low NOx: <10ppm

Low CO: < 10ppm

Stable modulation: 5 : 1

Precise control of combustion

Stable Pneumatic Control

the Inverterjet Pw series burners are composed of precision machined components.

The fully patented burner head is a special metallic fibre which has an inverted flame that simulates a standard gas burner but has the advantage of forward flame, yet is fully premixed and consequently gives very clean and stable combustion.

The pneumatic mixing system allows for control of the gas and air mix throughout the modulation range.

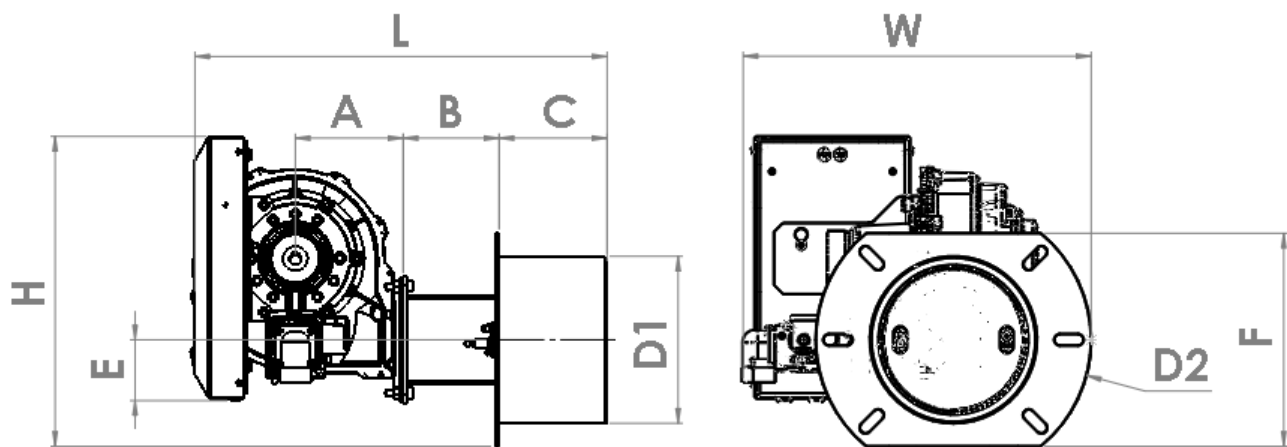
The microprocessor based burner controller is made for fan assisted, direct burner ignition applications. The control operates on 230/110 volts, 50-60 Hz and drives the gas valve and DC-fan. Normal heat demand is given by a 230 /110 VAC switch input. Modulation can be controlled by incorporating N.T.C sensors or by external 0 - 10V/4 - 20mA signal.

A special test mode controlled through the communication port of the controller can be used to service and initially set up the burner.

INVERTERJET PW SERIES 120-150

MODULATING GAS BURNER

Burner Dimensions



MODELS	A	B	C	D1	D2	E	F	H	L	W	Weight
	mm	mm	mm	mm	mm	mm	mm	mm	mm	mm	kg
Inverterjet PW 120M	122	108	122	Ø188	Ø310	68	240	349	464	392	12
Inverterjet PW 135M	122	108	122	Ø188	Ø310	68	240	349	464	392	12
Inverterjet PW 150M	122	108	122	Ø188	Ø310	68	240	349	464	392	14

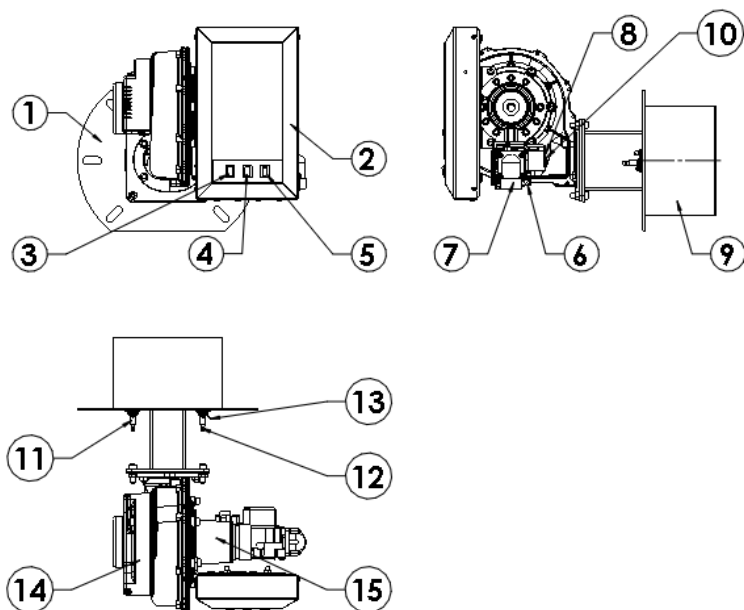
INVERTERJET PW SERIES 120-150

MODULATING GAS BURNER

Technical Data

INVERTERJET MODELS	PW 120M	PW 135M	PW 150M
Type	Pre-Mix Burner	Pre-Mix Burner	Pre-Mix Burner
Fuel	Natural Gas	Natural Gas	Natural Gas
Power Max-min [kW]	132 – 26.4	148 – 29.6	156 – 31.2
Modulation:	5 : 1	5 : 1	5 : 1
Nominal Voltage [VAC]	220..250	220..250	220..250
Frequency [Hz]	50/60	50/60	50/60
Phase	1 ~	1 ~	1 ~
Gas Connection	3/4" BSP	3/4" BSP	3/4" BSP
Gas Pressure Min - Max [mbar]	10 - 50	17 - 75	17 - 75
NOx level [ppm]	<10	<10	<10
CO [ppm]	<10	<10	<10

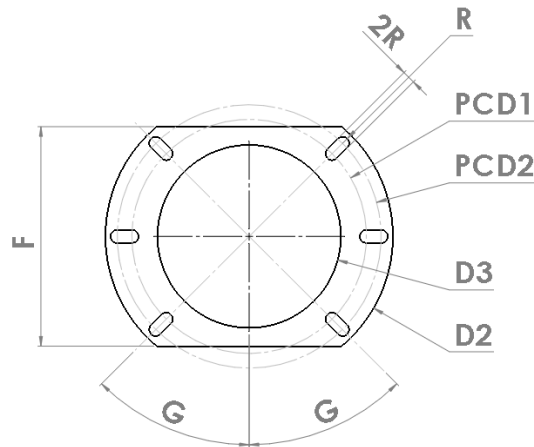
- (1) Burner Mounting Plate
- (2) Burner Management Unit
- (3) Burner On Indicator
- (4) Fault Indicator
- (5) Reset Button
- (6) Gas Valve
- (7) Gas Valve Connector
- (8) Pressure Feedback Connector
- (9) Burner Head
- (10) Throttle Adjustment Screw
- (11) Ionisation Probe
- (12) Ignition Electrode
- (13) Burner Head Earth
- (14) Fan Housing
- (15) Venturi



INVERTERJET PW SERIES 120-150

MODULATING GAS BURNER

Mounting Gasket Dimensions

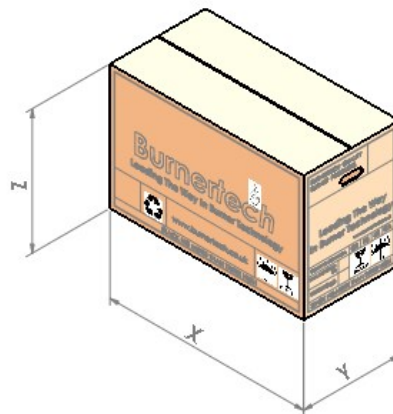


Model	D2	D3	G	PCD1	PCD2	R	2R
	mm	mm	Deg.	mm	mm	mm	mm
Inverterjet PW 120M	310	190	45°	Ø 240	Ø 280	6.5	13
Inverterjet PW 135M	310	190	45°	Ø 240	Ø 280	6.5	13
Inverterjet PW 150M	310	190	45°	Ø 240	Ø 280	6.5	13

Packaging

Supplied with:

- User Manual
- Filter Kit (Optional)



Model	X	Y	Z	Qty. / Box	Weight (Full Box)
	mm	mm	mm		kg
Inverterjet PW 120M	550	550	600	1	18
Inverterjet PW 135M	550	550	600	1	18
Inverterjet PW 150M	550	550	600	1	18



2021 Compliant for seasonal NOx.

CONTACT / SERVICE:



Unit C Lostock Industrial Estate,
Lostock Lane,
BL6 4BL,
Bolton, United Kingdom.

Tel: +44 (0)1204 393222
Fax: +44 (0)1204 394222
Email: enquiries@burnertech.co.uk
Website: www.burnertech.co.uk

