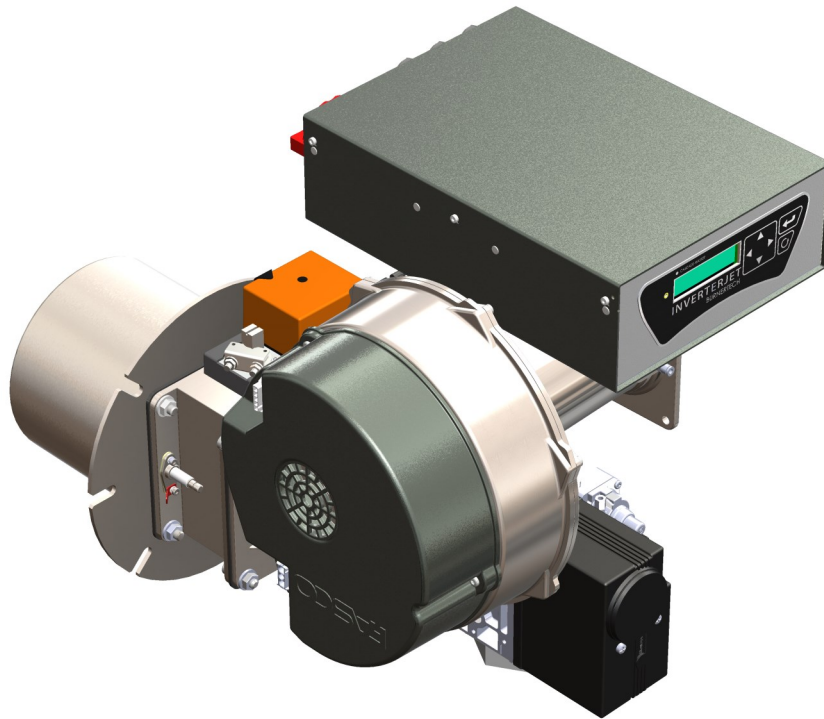




Leading The Way In Burner Technology

INVERTERJET HM SERIES

HIGH MODULATING GAS BURNER



INVERTERJET HM SERIES

MODEL	PRODUCT CODE	CLASS
INVERTERJET 50HM	91324	HIGH MODULATING PREMIX BURNER
INVERTERJET 90HM	91325	HIGH MODULATING PREMIX BURNER
INVERTERJET 150HM	91370	HIGH MODULATING PREMIX BURNER
INVERTERJET 200HM	91369	HIGH MODULATING PREMIX BURNER
INVERTERJET 250HM	91371	HIGH MODULATING PREMIX BURNER
INVERTERJET 300HM	91321	HIGH MODULATING PREMIX BURNER

99057 (1) 05/03/2020, Subject to Modification.

FOR TECHNICAL HELP / ADVICE
Phone: 01204 393 222
Email: info@burnertech.co.uk
Visit: www.burnertech.co.uk

BURNERTECH ENGINEERS LIMITED
Unit C, Lostock Industrial Estate, Lostock Lane
BL6 4BL, Bolton, UK



Leading The Way In Burner Technology

INVERTERJET HM SERIES

HIGH MODULATING GAS BURNER

Heat outputs [Kw]: 5.4 - 320

Pre-mix low NOx: <10ppm

Low CO: < 10ppm

Stable modulation: 10 : 1

Precise control of combustion

Stable Pneumatic Control

the Inverterjet HM series burners are composed of precision machined components.

The fully patented burner head is a special metallic fibre which has an inverted flame that simulates a standard gas burner but has the advantage of forward flame, yet is fully premixed and consequently gives very clean and stable combustion.

The pneumatic mixing system allows for control of the gas and air mix throughout the modulation range.

The microprocessor based burner controller is made for fan assisted, direct burner ignition applications. The control operates on 230/110 volts, 50-60 Hz and drives the gas valve and DC-fan. Normal heat demand is given by a 230 /110 VAC switch input. Modulation can be controlled by incorporating N.T.C sensors or by external 0 - 10V/4 - 20mA signal.

The Controller has the inputs and outputs to fully control a boiler and water heater including weather compensation and modulation outputs for up to 2 pumps. It also has a full cascade and sequence control for up to eight Boilers.

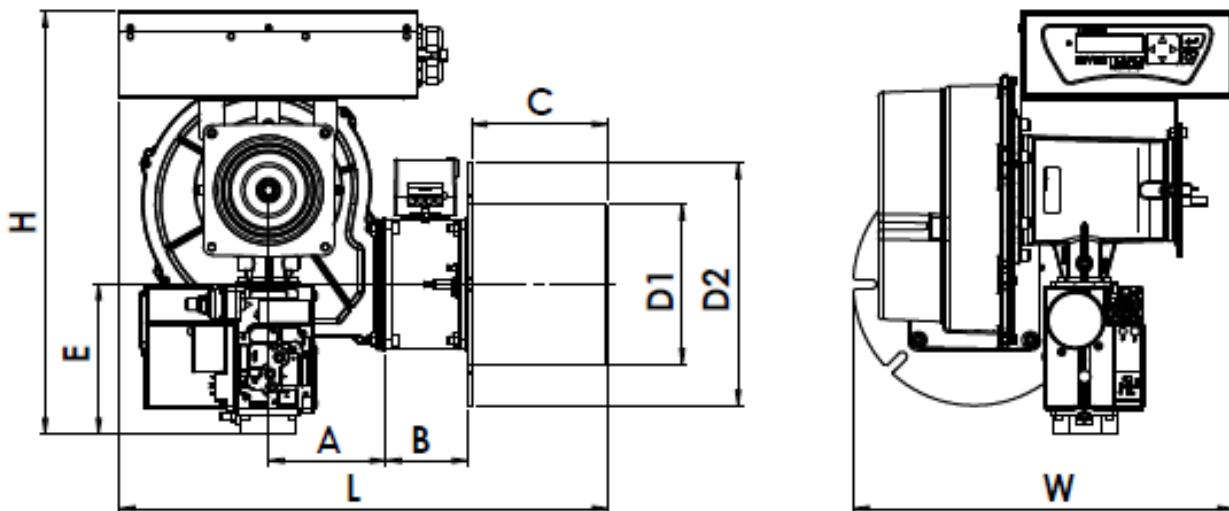
A special test mode controlled through the communication port of the controller can be used to service and initially set up the burner.



Leading The Way In Burner Technology

INVERTERJET HM SERIES HIGH MODULATING GAS BURNER

Burner Dimensions



MODELS	A	B	C	D1	D2	E	H	L	W	Weight
	mm	mm	mm	mm	mm	mm	mm	mm	mm	kg
Inverterjet 50HM	90	65	82	Ø140	Ø220	167	277	483	378	8
Inverterjet 90HM	90	65	82	Ø140	Ø220	167	277	483	378	8
Inverterjet 150HM	126	88	147	Ø171	Ø260	161	453	525	408	22
Inverterjet 200HM	126	88	147	Ø171	Ø260	161	453	525	408	22
Inverterjet 250HM	126	88	147	Ø171	Ø260	161	453	525	408	22
Inverterjet 300HM	126	88	147	Ø171	Ø260	161	453	525	408	22

FOR TECHNICAL HELP / ADVICE
 Phone: 01204 393 222
 Email: info@burnertech.co.uk
 Visit: www.burnertech.co.uk

BURNERTECH ENGINEERS LIMITED
 Unit C, Lostock Industrial Estate, Lostock Lane
 BL6 4BL, Bolton, UK

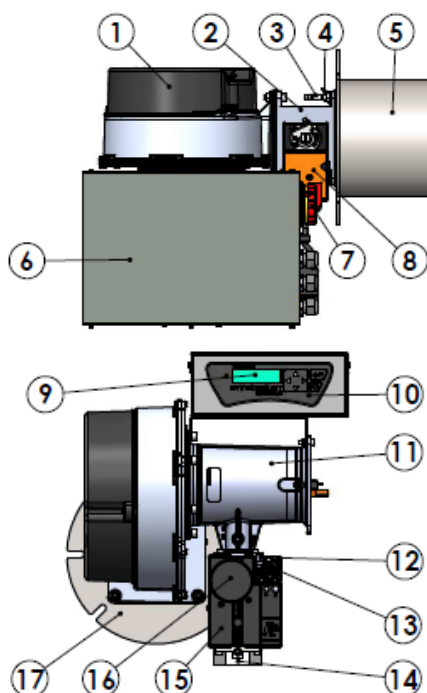
INVERTERJET HM SERIES

HIGH MODULATING GAS BURNER

Technical Data

INVERTERJET MODEL			50HM	90HM	150HM	200HM	250HM	300HM
Burner Type			Pre-Mix	Pre-Mix	Pre-Mix	Pre-Mix	Pre-Mix	Pre-Mix
Fuel Type			LPG/NG	LPG/NG	LPG/NG	LPG/NG	LPG / NG	LPG / NG
Power	Min	kW	5.4	9.6	15.5	21	26	32
	Max	kW	54	96	155	210	260	320
Modulation Range			10 : 1	10 : 1	10 : 1	10 : 1	10 : 1	10 : 1
Nominal Voltage		VAC	220..250	220..250	220..250	220..250	220..250	220..250
Frequency		Hz	50/60	50/60	50/60	50/60	50/60	50/60
Phase			1 ~	1 ~	1 ~	1 ~	1 ~	1 ~
Gas Connection			1/2 "BSP	1/2 "BSP	1 "BSP	1 "BSP	1 "BSP	1 "BSP
Gas Inlet Pressure	Min	mbar	10	10	17	17	17	17
	Max	mbar	50	50	75	75	75	75
NOx		ppm	<10	<10	<10	<10	<10	<10
CO		ppm	<10	<10	<10	<10	<10	<10

- (1) Fan Housing
- (2) Damper
- (3) Flame Detection Probe
- (4) Burner Head Earth Connector
- (5) Burner Head
- (6) Burner Management Unit
- (7) Power switch
- (8) Actuator
- (9) Display
- (10) Control Panel
- (11) Venturi
- (12) Pressure Feedback Connector
- (13) Throttle adjustment screw
- (14) Gas Connection Flange
- (15) Gas Valve
- (16) Offset Adjustment Screw Cap
- (17) Burner Mounting Plate
- (18) Ignition Electrode (Not shown)



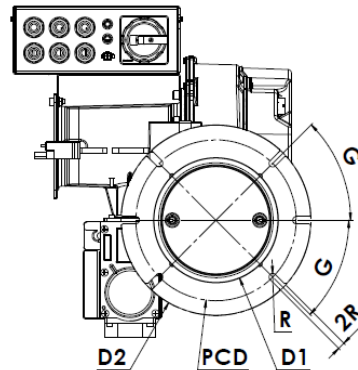


Leading The Way In Burner Technology

INVERTERJET HM SERIES

HIGH MODULATING GAS BURNER

Mounting Details

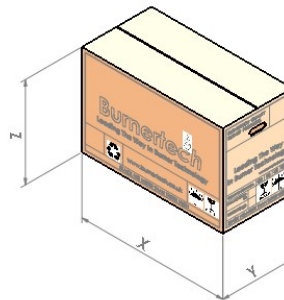


Model	D1	D2	G	PCD1	R	2R
	mm	mm	Deg.	mm	mm	mm
Inverterjet 50HM	140	220	45°	Ø 180	5	10
Inverterjet 90HM	140	220	45°	Ø 180	5	10
Inverterjet 150HM	171	260	45°	Ø 220	5	10
Inverterjet 200HM	171	260	45°	Ø 220	5	10
Inverterjet 250HM	171	260	45°	Ø 220	5	10
Inverterjet 300HM	171	260	45°	Ø 220	5	10

Packaging

Supplied with:

- User Manual
- Filter Kit (Optional)



Model	X	Y	Z	Qty. / Box	Weight (Full Box)
	mm	mm	mm		kg
Inverterjet 50HM	790	550	600	2	19
Inverterjet 90HM	790	550	600	2	19
Inverterjet 150HM	790	550	600	1	24
Inverterjet 200HM	790	550	600	1	24
Inverterjet 250HM	790	550	600	1	24
Inverterjet 300HM	790	550	600	1	24

FOR TECHNICAL HELP / ADVICE
 Phone: 01204 393 222
 Email: info@burnertech.co.uk
 Visit: www.burnertech.co.uk

BURNERTECH ENGINEERS LIMITED
 Unit C, Lostock Industrial Estate, Lostock Lane
 BL6 4BL, Bolton, UK



2021 Compliant for seasonal NOx.

CONTACT / SERVICE:



Unit C Lostock Industrial Estate,
Lostock Lane,
BL6 4BL,
Bolton, United Kingdom.

Tel: +44 (0)1204 393222
Fax: +44 (0)1204 394222
Email: enquiries@burnertech.co.uk
Website: www.burnertech.co.uk

