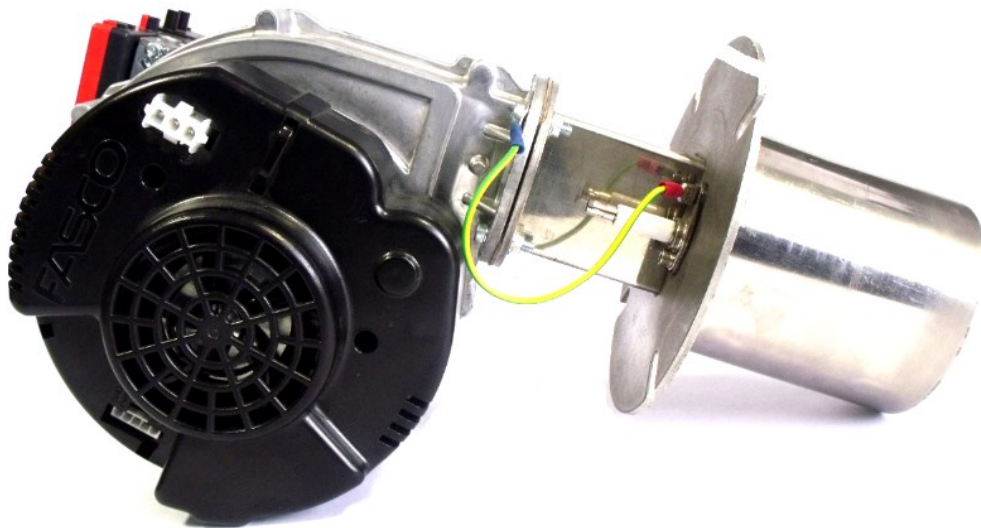




*Leading The Way In Burner Technology*

# INVERTERJET 50 SERIES

## MODULATING GAS BURNER



---

FOR TECHNICAL HELP / ADVICE  
Phone: 01204 393 222  
Email: [info@burnertech.co.uk](mailto:info@burnertech.co.uk)  
Visit: [www.burnertech.co.uk](http://www.burnertech.co.uk)

BURNERTECH ENGINEERS LIMITED  
Unit C, Lostock Industrial Estate, Lostock Lane  
BL6 4BL, Bolton, UK



*Leading The Way In Burner Technology*

# INVERTERJET 50 SERIES

## MODULATING GAS BURNER

Heat output 50kW

Pre-mix low NOx

Low CO: < 10ppm

Stable modulation > 5

Precise control of combustion

Pneumatic / Electronic Control

The Inverterjet 50 series is available in two different models; Inverterjet 50/M and 50/HM. The Burners are composed of precision machined components.

The fully patented burner head is a special metallic fibre which has an inverted flame that simulates a standard gas burner but has the advantage of forward flame, yet is fully premixed and consequently gives very clean and stable combustion.

The mixing system can be pneumatic or electronic which allows for control of the gas and air mix throughout the modulation range. The electronic versions are fully modulating.

The microprocessor based burner controller is made for fan assisted, direct burner ignition applications. The control operates on 230/110 volts, 50-60 Hz and drives the gas valve and DC-fan. Normal heat demand is given by a 230 /110 VAC switch input. Modulation can be controlled by incorporating N.T.C sensors (50HM) or by external 0 - 10V/4 - 20mA signal (50M)

The 50HM Controller has the inputs and outputs to fully control a boiler and water heater including weather compensation and modulation outputs for up to 2 pumps. It also has a full cascade and sequence control for up to eight Boilers.

A special test mode controlled through the communication port of the controller can be used to service and initially set up the burner.

---

FOR TECHNICAL HELP / ADVICE  
Phone: 01204 393 222  
Email: [info@burnertech.co.uk](mailto:info@burnertech.co.uk)  
Visit: [www.burnertech.co.uk](http://www.burnertech.co.uk)

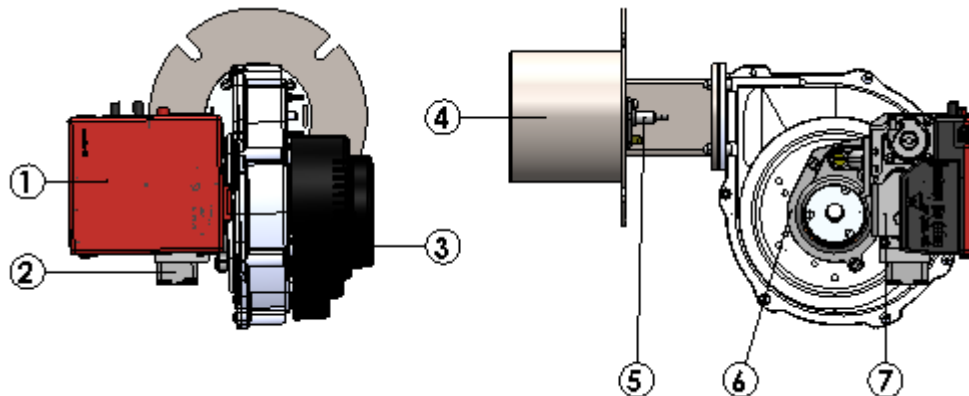
---

BURNERTECH ENGINEERS LIMITED  
Unit C, Lostock Industrial Estate, Lostock Lane  
BL6 4BL, Bolton, UK

# INVERTERJET 50 SERIES

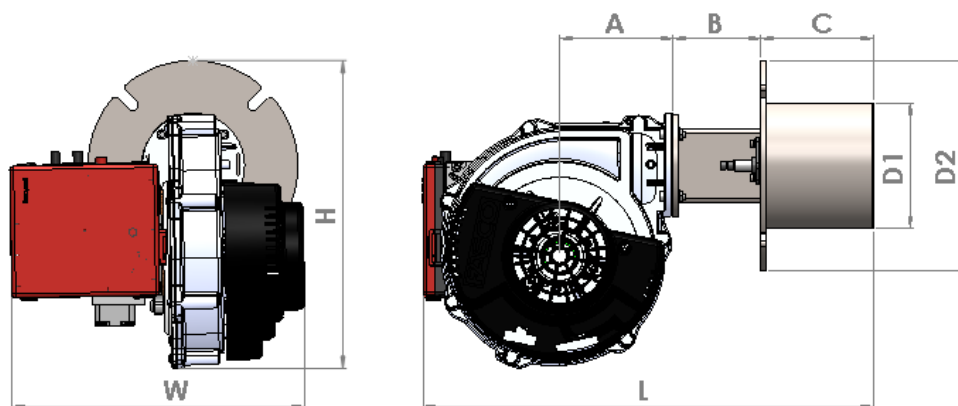
## MODULATING GAS BURNER

### Main Components



- 1 Controller
- 2 Gas Connection Flange
- 3 Fan Housing
- 4 Inverterjet Burner Head
- 5 Ignition Electrode
- 6 Venturi
- 7 Gas Valve
- 8 Ionisation Probe (Not shown)

### Dimensions



| MODEL             | A  | B  | C  | D1     | D2   | H   | L   | W   | Weight |
|-------------------|----|----|----|--------|------|-----|-----|-----|--------|
|                   | mm | mm | mm | mm     | mm   | mm  | mm  | mm  | kg     |
| Inverterjet 50/M  | 92 | 71 | 91 | Ø101.6 | Ø170 | 244 | 365 | 238 | 5.6    |
| Inverterjet 50/HM | 92 | 65 | 87 | Ø140   | Ø220 | 274 | 337 | 262 | 8      |



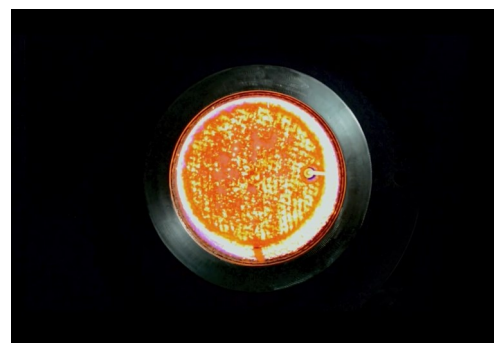
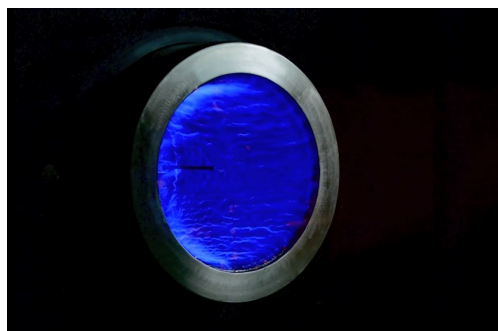
Leading The Way In Burner Technology

# INVERTERJET 50 SERIES

## MODULATING GAS BURNER

### Technical Data

| MODEL                           | INVERTERJET 50/M | INVERTERJET 50/HM |
|---------------------------------|------------------|-------------------|
| Type                            | Pre-Mix Burner   | Pre-Mix Burner    |
| Fuel                            | Natural Gas/LPG  | Natural Gas/LPG   |
| Power min-max [kW]              | 10– 50           | 5– 50             |
| Modulation:                     | 1 : 5            | 1 : 10            |
| Fan Nominal Voltage Range [VAC] | 120/230          | 120/230           |
| Frequency [Hz]                  | 50/60            | 50/60             |
| Phase                           | 1 ~              | 1 ~               |
| Gas Connection                  | 1/2 " BSP        | 1/2 " BSP         |
| Gas Pressure Min - Max [mbar]   | 10 - 60          | 10 - 60           |
| NOx level [ppm]                 | <10              | <10               |
| CO [ppm]                        | <10              | <10               |
| Modulating Damper               | No               | Yes               |



FOR TECHNICAL HELP / ADVICE  
Phone: 01204 393 222  
Email: [info@burnertech.co.uk](mailto:info@burnertech.co.uk)  
Visit: [www.burnertech.co.uk](http://www.burnertech.co.uk)

BURNERTECH ENGINEERS LIMITED  
Unit C, Lostock Industrial Estate, Lostock Lane  
BL6 4BL, Bolton, UK

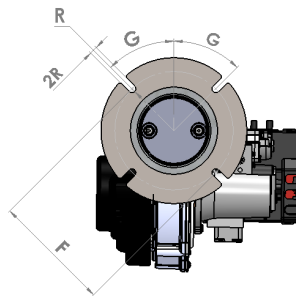


Leading The Way In Burner Technology

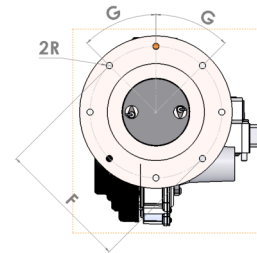
# INVERTERJET 50 SERIES

## MODULATING GAS BURNER

### Mounting Dimensions



Inverterjet 50/M



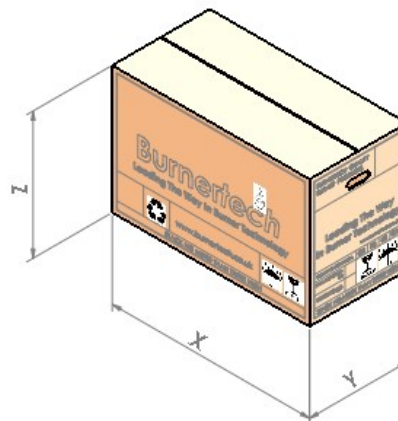
Inverterjet 50/HM

| Model             | F   | G    | R   | 2R |
|-------------------|-----|------|-----|----|
|                   | mm  | deg. | mm  | mm |
| Inverterjet 50/M  | 138 | 45°  | 4.5 | 9  |
| Inverterjet 50/HM | 190 | 45°  | -   | 9  |

### Packaging

#### Supplied with:

- Mounting Flange Gasket
- User Manual



| Model             | X   | Y   | Z   | Qty / Box | Weight (Full Box) |
|-------------------|-----|-----|-----|-----------|-------------------|
|                   | mm  | mm  | mm  |           | kg                |
| Inverterjet 50/M  | 790 | 390 | 510 | 3         | 18                |
| Inverterjet 50/HM | 790 | 390 | 510 | 3         | 20.4              |

FOR TECHNICAL HELP / ADVICE  
 Phone: 01204 393 222  
 Email: [info@burnertech.co.uk](mailto:info@burnertech.co.uk)  
 Visit: [www.burnertech.co.uk](http://www.burnertech.co.uk)

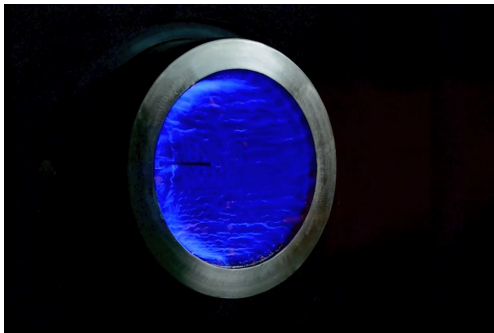
BURNERTECH ENGINEERS LIMITED  
 Unit C, Lostock Industrial Estate, Lostock Lane  
 BL6 4BL, Bolton, UK



*Leading The Way In Burner Technology*

# INVERTERJET 50 SERIES

## MODULATING GAS BURNER



An Inverterjet running at high thermal load condition.

The successful CDG Chaudgaz boiler range is an example of a typical application where Burnertech Inverterjets are used.



---

FOR TECHNICAL HELP / ADVICE  
Phone: 01204 393 222  
Email: [info@burnertech.co.uk](mailto:info@burnertech.co.uk)  
Visit: [www.burnertech.co.uk](http://www.burnertech.co.uk)

BURNERTECH ENGINEERS LIMITED  
Unit C, Lostock Industrial Estate, Lostock Lane  
BL6 4BL, Bolton, UK



Burnertech Combustion  
Engineers Ltd.  
Unit C, Lostock Industrial Estate,  
Lostock Lane, Bolton, BL6 4BL, UK  
E: [info@burnertech.co.uk](mailto:info@burnertech.co.uk)  
T: +44 (0)1204 393222