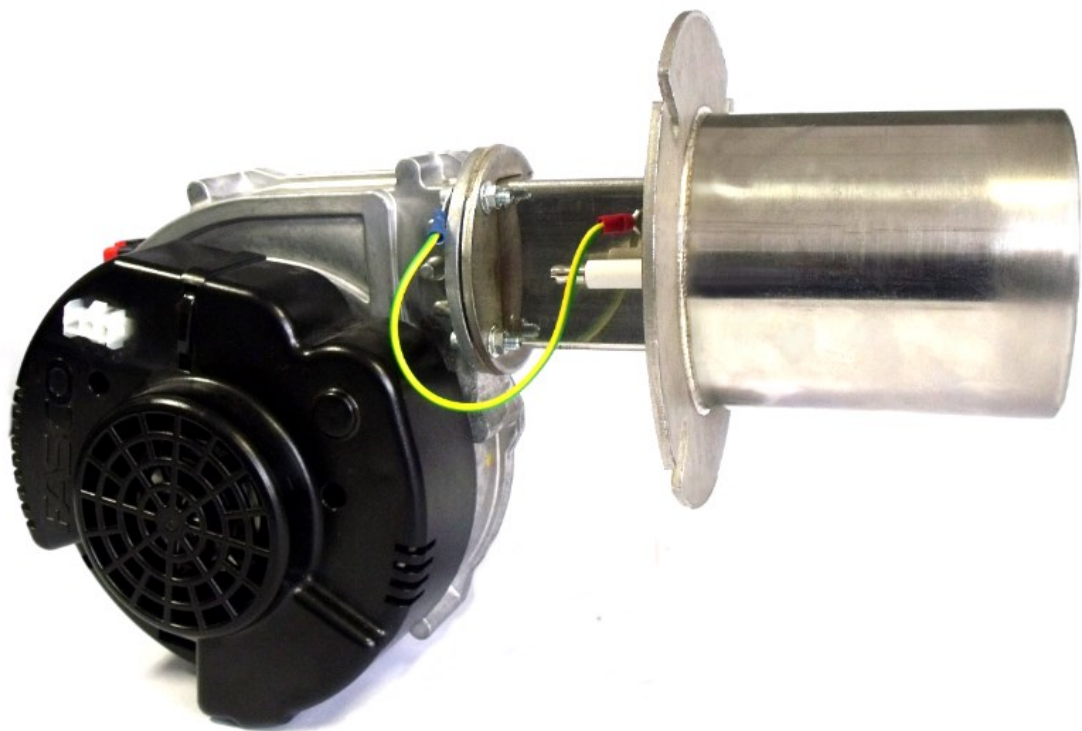




Leading The Way In Burner Technology

INVERTERJET 90 SERIES

MODULATING GAS BURNER



FOR TECHNICAL HELP / ADVICE
Phone: 01204 393 222
Email: info@burnertech.co.uk
Visit: www.burnertech.co.uk

BURNERTECH ENGINEERS LIMITED
Unit C, Lostock Industrial Estate, Lostock Lane
BL6 4BL, Bolton, UK



Leading The Way In Burner Technology

INVERTERJET 90 SERIES

MODULATING GAS BURNER

Heat output 90kW

Pre-mix low NOx

Low CO: < 10ppm

Stable modulation > 5

Precise control of combustion

Pneumatic / Electronic Control

The Inverterjet 90 series is available in two different models; Inverterjet 90/M and 90/HM. The Burners are composed of precision machined components.

The fully patented burner head is a special metallic fibre which has an inverted flame that simulates a standard gas burner but has the advantage of forward flame, yet is fully premixed and consequently gives very clean and stable combustion.

The pneumatic mixing system controls the gas and air mix throughout the modulation range. All versions can be configured for fully modulating or on/off operation.

The microprocessor based burner controller is made for fan assisted, direct burner ignition applications. The control operates on 230/110 volts, 50-60 Hz and drives the gas valve and DC-fan. Normal heat demand is given by a 230 /110 VAC switch input. Modulation can be controlled by incorporating N.T.C sensors (90HM) or by external 0 - 10V/4 - 20mA signal (90M)

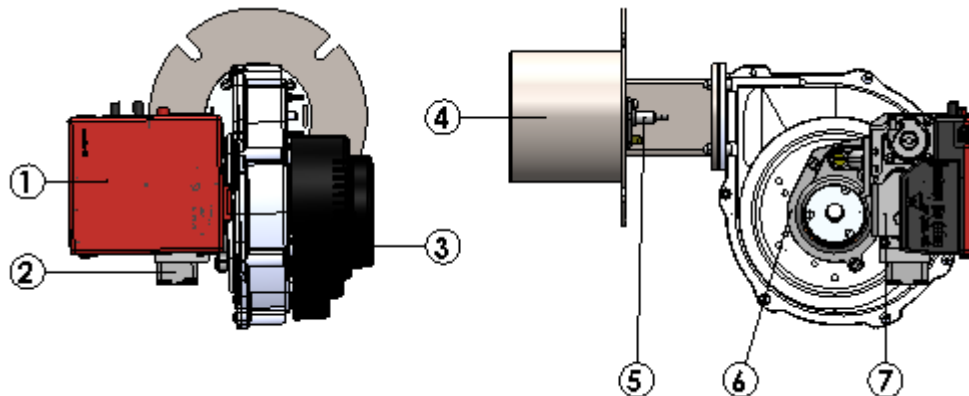
The 90HM Controller has the inputs and outputs to fully control a boiler and water heater including weather compensation and modulation outputs for up to 2 pumps. It also has a full cascade and sequence control for up to eight Boilers.

A special test mode controlled through the communication port of the controller can be used to service and initially set up the burner.

INVERTERJET 90 SERIES

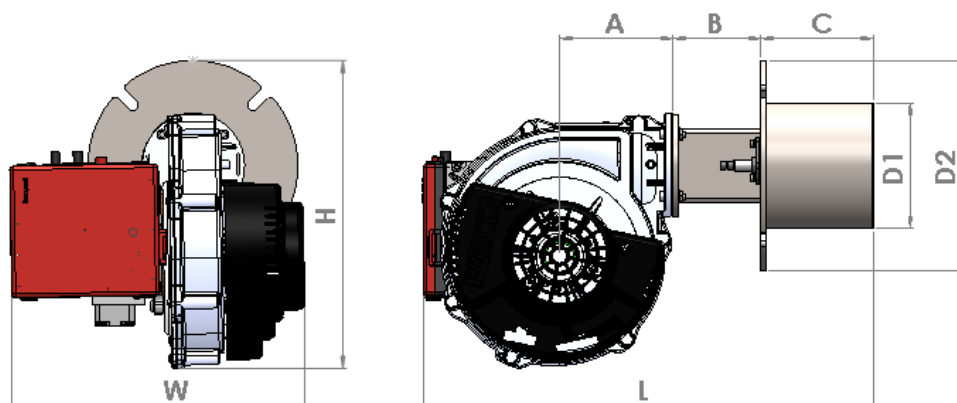
MODULATING GAS BURNER

Main Components



- 1 Controller
- 2 Gas Connection Flange
- 3 Fan Housing
- 4 Inverterjet Burner Head
- 5 Ignition Electrode
- 6 Venturi
- 7 Gas Valve
- 8 Ionisation Probe (Not shown)

Dimensions



MODEL	A	B	C	D1	D2	H	L	W	Weight
	mm	mm	mm	mm	mm	mm	mm	mm	kg
Inverterjet 90/M	92	71	121	Ø101.6	Ø170	244	395	238	5.9
Inverterjet 90/HM	92	65	87	Ø140	Ø220	274	337	262	8



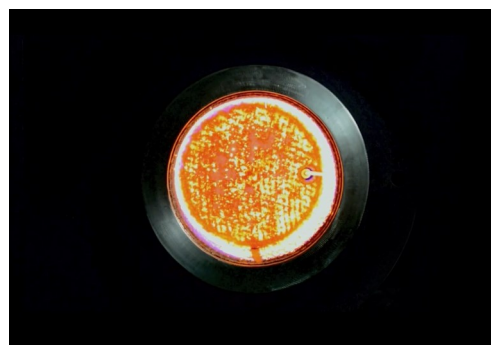
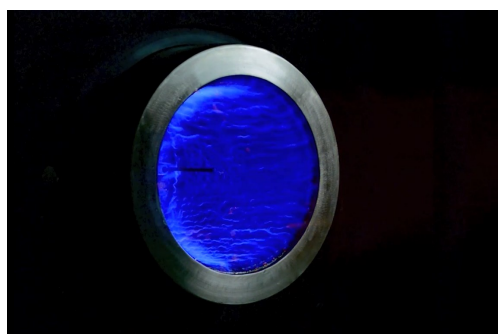
Leading The Way In Burner Technology

INVERTERJET 90 SERIES

MODULATING GAS BURNER

Technical Data

MODEL	INVERTERJET 90/M	INVERTERJET 90/HM
Type	Pre-Mix Burner	Pre-Mix Burner
Fuel	Natural Gas/LPG	Natural Gas/LPG
Power min-max [kW]	18– 90	9– 90
Modulation:	5 : 1	10 : 1
Fan Nominal Voltage Range [VAC]	120/230	120/230
Frequency [Hz]	50/60	50/60
Phase	1 ~	1 ~
Gas Connection	1/2 " BSP	1/2 " BSP
Gas Pressure Min - Max [mbar]	10 - 60	10 - 60
NOx level [ppm]	<10	<10
CO [ppm]	<10	<10
Modulating Damper	No	Yes



FOR TECHNICAL HELP / ADVICE
Phone: 01204 393 222
Email: info@burnertech.co.uk
Visit: www.burnertech.co.uk

BURNERTECH ENGINEERS LIMITED
Unit C, Lostock Industrial Estate, Lostock Lane
BL6 4BL, Bolton, UK

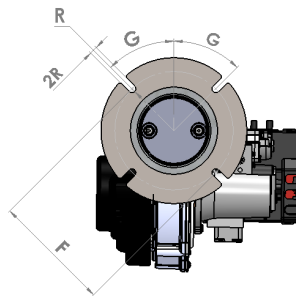


Leading The Way In Burner Technology

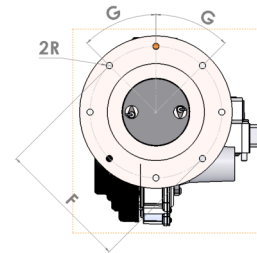
INVERTERJET 90 SERIES

MODULATING GAS BURNER

Mounting Dimensions



Inverterjet 90/M



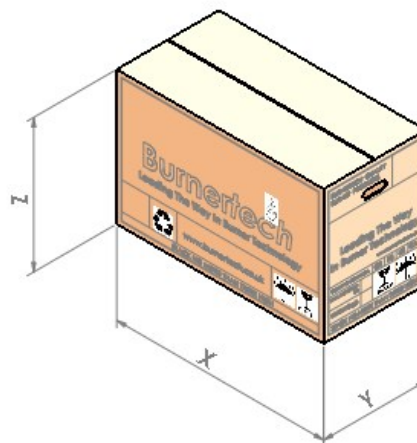
Inverterjet 90/HM

Model	F	G	R	2R
	mm	deg.	mm	mm
Inverterjet 90/M	138	45°	4.5	9
Inverterjet 90/HM	190	45°	-	9

Packaging

Supplied with:

- Mounting Flange Gasket
- User Manual



Model	X	Y	Z	Qty / Box	Weight (Full Box)
	mm	mm	mm		kg
Inverterjet 90/M	790	390	510	3	18.3
Inverterjet 90/HM	790	390	510	3	20.4

FOR TECHNICAL HELP / ADVICE
 Phone: 01204 393 222
 Email: info@burnertech.co.uk
 Visit: www.burnertech.co.uk

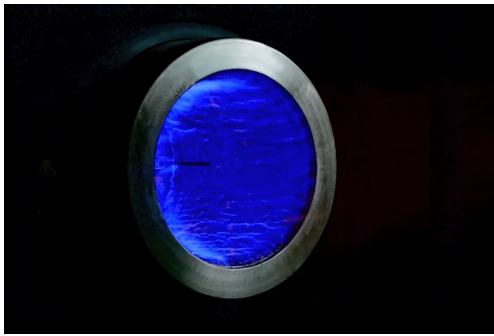
BURNERTECH ENGINEERS LIMITED
 Unit C, Lostock Industrial Estate, Lostock Lane
 BL6 4BL, Bolton, UK



Leading The Way In Burner Technology

INVERTERJET 90 SERIES

MODULATING GAS BURNER



An Inverterjet running at high thermal load condition.

The successful CDG Chaudgaz boiler range is an example of a typical application where Burnertech Inverterjets are used.



FOR TECHNICAL HELP / ADVICE
Phone: 01204 393 222
Email: info@burnertech.co.uk
Visit: www.burnertech.co.uk

BURNERTECH ENGINEERS LIMITED
Unit C, Lostock Industrial Estate, Lostock Lane
BL6 4BL, Bolton, UK



Burnertech Combustion
Engineers Ltd.
Unit C, Lostock Industrial Estate,
Lostock Lane, Bolton, BL6 4BL, UK
E: info@burnertech.co.uk
T: +44 (0)1204 393222