



*Leading The Way In Burner Technology*

# INVERTERJET 700/HME

## HIGH MODULATING GAS BURNER



---

FOR TECHNICAL HELP / ADVICE  
Phone: 01204 393 222  
Email: [info@burnertech.co.uk](mailto:info@burnertech.co.uk)  
Visit: [www.burnertech.co.uk](http://www.burnertech.co.uk)

BURNERTECH ENGINEERS LIMITED  
Unit C, Lostock Industrial Estate, Lostock Lane  
BL6 4BL, Bolton, UK



*Leading The Way In Burner Technology*

# INVERTERJET 700/HME

## HIGH MODULATING GAS BURNER

Heat output 700KW

Pre-mix low NOx

Low CO: < 10ppm

High modulation 10:1

Precise control of combustion

Electronic control

Our Inverterjet 700/HME is composed of precision machined components.

The fully patented burner head is a special metallic fibre which has an inverted flame that simulates a standard gas burner but has the advantage of forward flame, yet is fully premixed and consequently gives very clean and stable combustion.

The mixing system is electronic which allows for control of the gas and air mix throughout the modulation range.

The microprocessor based burner controller is made for fan assisted, direct burner ignition applications. The control operates on 230/110 volts, 50-60 Hz and drives the gas valve and DC-fan. Normal heat demand is given by a 230 /110 VAC switch input. Modulation can be controlled by incorporating N.T.C sensors or by external 0 - 10V/4 - 20mA signal.

The Controller has the inputs and outputs to fully control a boiler and water heater including weather compensation and modulation outputs for up to 2 pumps. It also has a full cascade and sequence control for up to eight Boilers.

A special test mode controlled through the communication port of the controller can be used to service and initially set up the burner.

---

FOR TECHNICAL HELP / ADVICE  
Phone: 01204 393 222  
Email: [info@burnertech.co.uk](mailto:info@burnertech.co.uk)  
Visit: [www.burnertech.co.uk](http://www.burnertech.co.uk)

---

BURNERTECH ENGINEERS LIMITED  
Unit C, Lostock Industrial Estate, Lostock Lane  
BL6 4BL, Bolton, UK

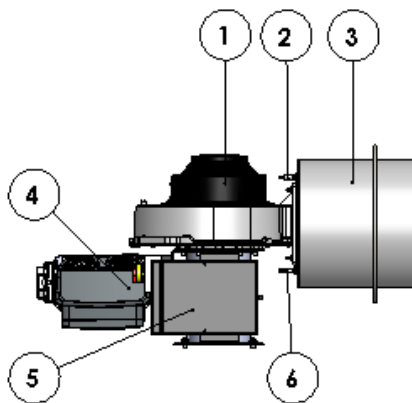


Leading The Way In Burner Technology

# INVERTERJET 700/HME

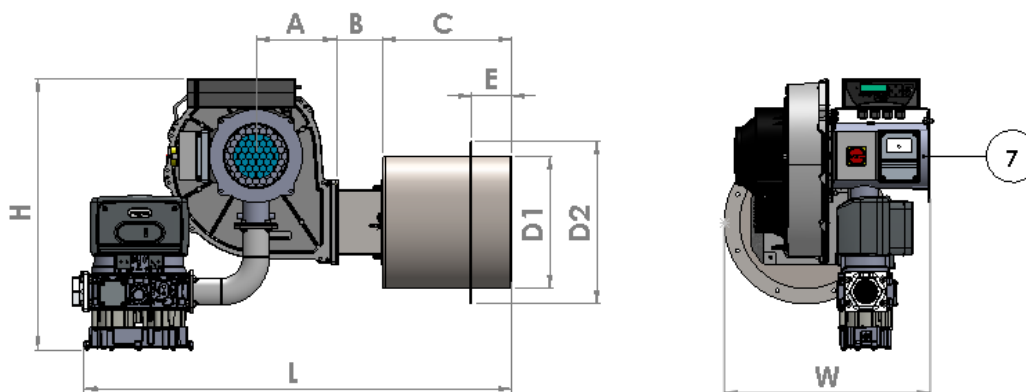
## HIGH MODULATING GAS BURNER

### Main Components



- (1) Fan Housing
- (2) Ignition Electrode
- (3) Inverterjet Burner Head
- (4) 2 " Valve Electronics
- (5) Controller [Burner Management Unit]
- (6) Ionisation Probe
- (7) Mixer

### Dimensions and Weight



MODEL	A	B	C	D1	D2	E	H	L	W	Weight
	mm	mm	mm	mm	mm	mm	mm	mm	mm	kg
Inverterjet 700/HME	205	123	332	Ø340	Ø420	102	700	1140	531	69.5

FOR TECHNICAL HELP / ADVICE  
 Phone: 01204 393 222  
 Email: [info@burnertech.co.uk](mailto:info@burnertech.co.uk)  
 Visit: [www.burnertech.co.uk](http://www.burnertech.co.uk)

BURNERTECH ENGINEERS LIMITED  
 Unit C, Lostock Industrial Estate, Lostock Lane  
 BL6 4BL, Bolton, UK

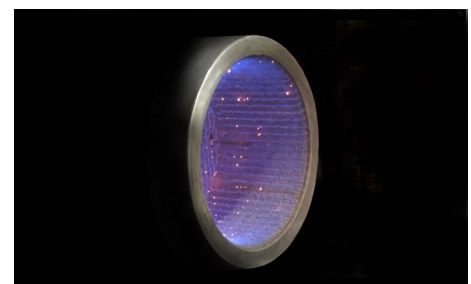
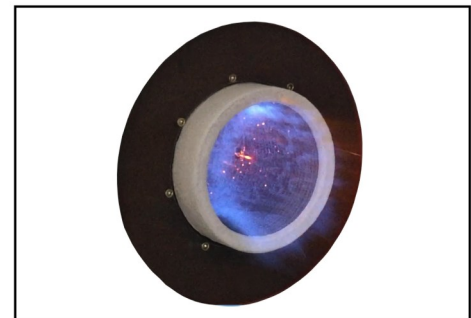


Leading The Way In Burner Technology

# INVERTERJET 700/HME

## HIGH MODULATING GAS BURNER

MODEL	INVERTERJET 700/HME	
Type	Pre-Mix Burner	
Fuel	Natural Gas	
Power Min-Max [kW]	78– 780	
High Modulation	10 : 1	
Fan Nominal Voltage Range [VAC]	240	
Frequency [Hz]	50/60	
Phase	1 ~	
Current Draw Max [A]	15	
Gas Connection	DN25	DN50
Gas Pressure Min - Max [mbar]	100 - 300	25 - 300
NOx Level [ppm]	<10	
CO [ppm]	<10	



FOR TECHNICAL HELP / ADVICE  
Phone: 01204 393 222  
Email: [info@burnertech.co.uk](mailto:info@burnertech.co.uk)  
Visit: [www.burnertech.co.uk](http://www.burnertech.co.uk)

BURNERTECH ENGINEERS LIMITED  
Unit C, Lostock Industrial Estate, Lostock Lane  
BL6 4BL, Bolton, UK

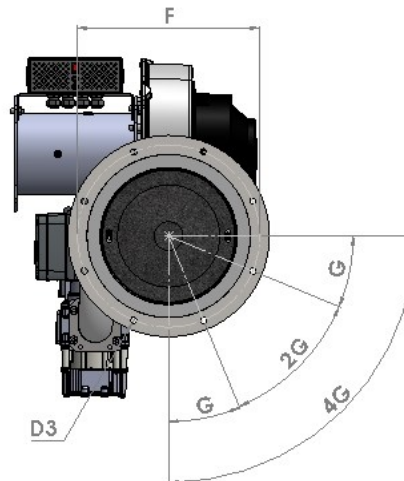


Leading The Way In Burner Technology

# INVERTERJET 700/HME

## HIGH MODULATING GAS BURNER

### Mounting Dimensions

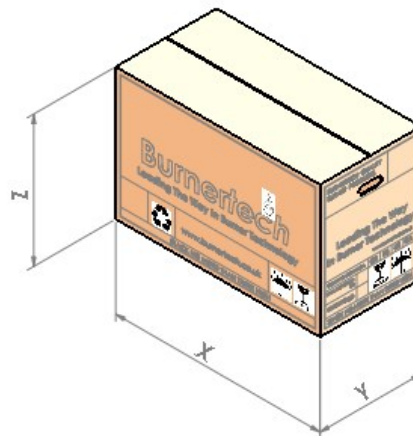


Model	F	G	2G	4G	D3
	mm	deg.	deg.	deg.	mm
Inverterjet 700/HME	380	22.5°	45°	90°	10

### Packaging

#### Supplied with:

- Mounting Flange Gasket
- User Manual



Model	X	Y	Z	Qty / Box	Weight (Full Box)
	mm	mm	mm		kg
Inverterjet 700/HME + Packing Box	1200	800	900	1	141.5

FOR TECHNICAL HELP / ADVICE  
 Phone: 01204 393 222  
 Email: [info@burnertech.co.uk](mailto:info@burnertech.co.uk)  
 Visit: [www.burnertech.co.uk](http://www.burnertech.co.uk)

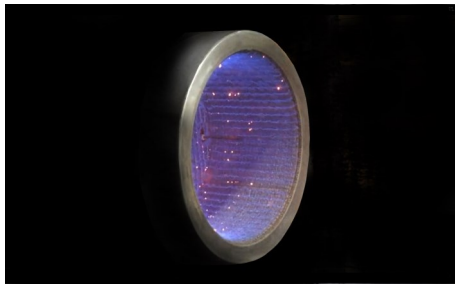
BURNERTECH ENGINEERS LIMITED  
 Unit C, Lostock Industrial Estate, Lostock Lane  
 BL6 4BL, Bolton, UK



*Leading The Way In Burner Technology*

# INVERTERJET 700/HME

## HIGH MODULATING GAS BURNER



Inverterjet 700/HME running at high thermal load condition.

---

FOR TECHNICAL HELP / ADVICE  
Phone: 01204 393 222  
Email: [info@burnertech.co.uk](mailto:info@burnertech.co.uk)  
Visit: [www.burnertech.co.uk](http://www.burnertech.co.uk)

BURNERTECH ENGINEERS LIMITED  
Unit C, Lostock Industrial Estate, Lostock Lane  
BL6 4BL, Bolton, UK



Burnertech Combustion  
Engineers Ltd.  
Unit C, Lostock Industrial Estate,  
Lostock Lane, Bolton, BL6 4BL, UK  
E: [info@burnertech.co.uk](mailto:info@burnertech.co.uk)  
T: +44 (0)1204 393222